

FEATURES

SP Bowl

- DYNAMAX™ TORNADO FLUSH® system, high efficiency (1.28GPF/0.9GPF)
- CEFIONTECT® ceramic glaze - prevents debris, mold from sticking to ceramic surfaces
- Universal Height
- Square shape front bowl

SoftClose® Seat

- Square shape closed front toilet seat and cover with SoftClose hinge system
- Mounting hardware included
- Made from urea-resin
- Quick release hinges for easier cleaning

DuoFit® In-Wall Tank

- High-efficiency dual flush 1.28 & 0.9 GPF (4.8 & 3.4 LPF)
Avg. flush 1.03 GPF
- Adjustable 15" -19" mounting height
- Saves up to 9" of floor space compared to standard floor-mounted toilet
- Supports up to 880lbs
- Commercial 2" x 6" or optional residential installation with 2" x 4" wall studs with waste outlet kit
- Copper supply line

Push Plate

- Basic Square Push Plate - YT920#WH (White Matte) or YT920#MS (Matte Silver)

KIT COMPONENTS

- CT449CFG#01
SP Wall-Hung Toilet
- WT172M
In-Wall Tank System (Copper Pipe)
- SS249R#01
SP Slim Square SoftClose Seat
- YT920#WH
Basic Square Push Plate - White Matte
or
YT920#MS
Basic Square Push Plate - Matte Silver

COLORS/FINISHES

- Standard
#01 Cotton



**DYNAMAX
TORNADO FLUSH**



CEFIONTECT

CODES/STANDARDS

- Meets and exceeds:
 - Bowl: ASME A112.19.2/CSA B45.1, ASME A112.19.14
 - Carrier System: ASME A112.6.2
 - Tank Trim: IAPMO PS50, CSA B125.3, ASSE1002
- Certifications: IAPMO (cUPC), EPA WaterSense State of Massachusetts, City of Los Angeles and others
- Legislative compliance: California AB715, California Green Building Code, City of Los Angeles Water Efficiency Ordinance
- Code Compliance: UPC, IPC, NSPC, NPC Canada, and others



CWT449249CMFG

SP Wall-Hung Toilet, 1.28GPF & 0.9GPF

PRODUCT SPECIFICATIONS

	CT449CFG	SS249R	WT172M
Water Use	1.28GPF & 0.9GPF (4.8LPF & 3.4LPF)		1.28GPF & 0.9GPF (4.8LPF & 3.4LPF)
Flush System	DynaMax™ TORNADO FLUSH®		DUAL-MAX
Min. Water Pressure	8 psi (static)		8 psi (static)
Water Surface	5-1/2" X 4-1/8"		
Trap Diameter	2-1/8"		
Installation Height	15" to 19"		15" to 19"
Trap Seal	2-1/8"		
Warranty	One Year Limited Warranty	One Year Limited Warranty	One Year Limited Warranty
Material	Vitreous China	Urea-Resin	Various
Shipping Weight	68 lbs	9 lbs	38 lbs
Shipping Dimensions	22" L x 14.6" W x 16.5" H	20-5/8" x 19-1/8" x 3-1/4"	48" L x 26-1/2" W x 6" H

CT449CFG

This universal height, square shaped front bowl, high efficiency DYNAMAX TORNADO flushing system toilet shall be 1.28GPF & 0.9GPF. Toilet shall have CEFIONTECT® ceramic glaze. Toilet requires in-wall tank system and wall-mounted push-button type trip lever. Toilet shall be TOTO Model CT449CFG#01.

SS249R

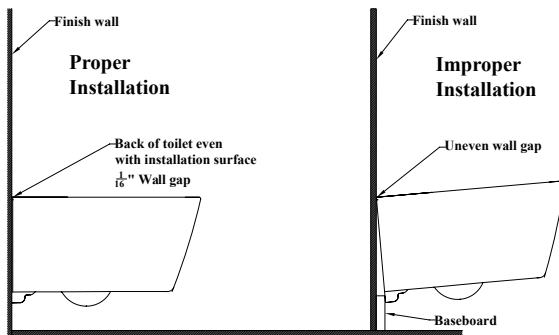
Seat shall be made from urea-resin for both the seat and seat cover. The seat installation is top mount installation with adjustable hinge plates and stainless steel hinge caps.

WT172M

This universal height, high-efficiency, dual flushing, in-wall tank system toilet shall be 1.28GPF & 0.9GPF. Requires TOTO toilet model CT449CFG and wall-mounted push plate. In-Wall tank system shall be TOTO Model WT172M.

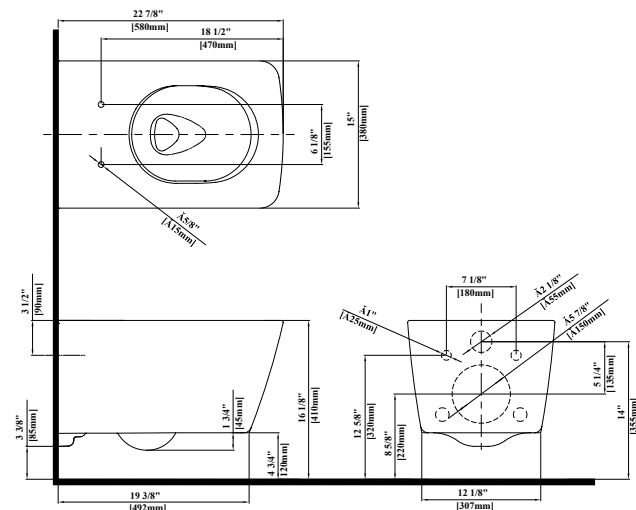
INSTALLATION NOTES

- Adequate structural bracing is required

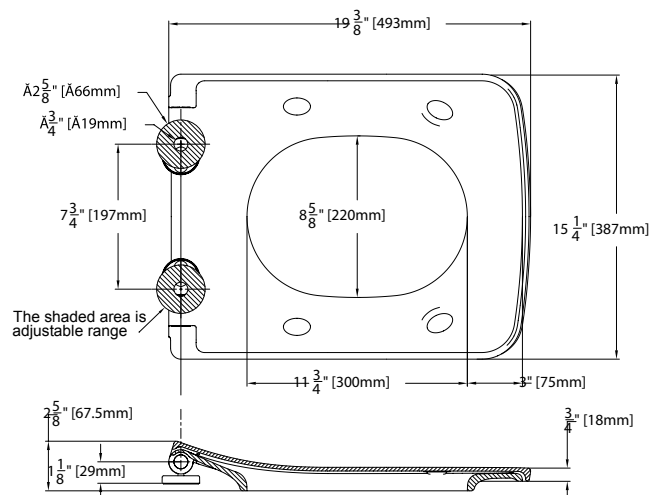


PRODUCT DIMENSIONS

CT449CFG



SS249R

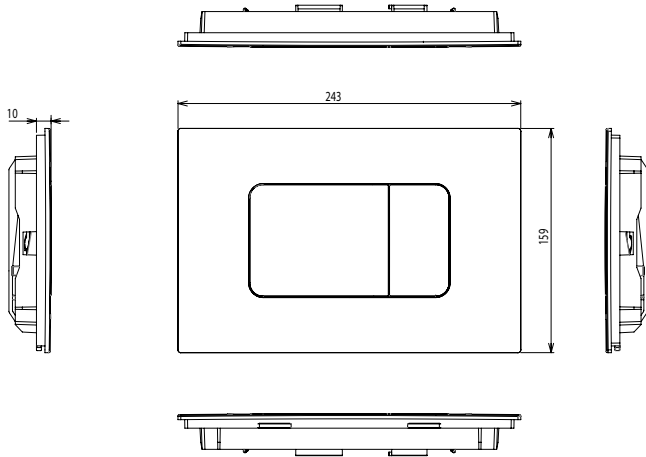


CWT449249CMFG

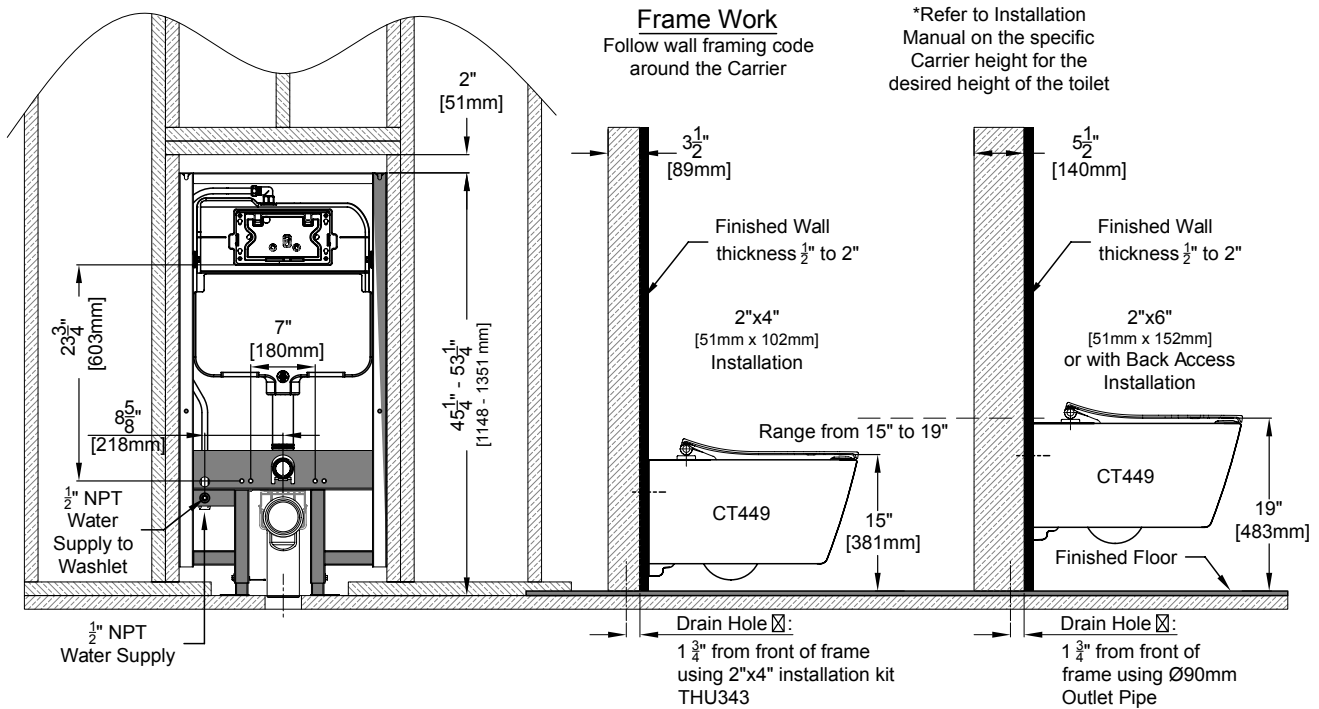
SP Wall-Hung Toilet, 1.28GPF & 0.9GPF

PRODUCT DIMENSIONS

YT920#WH or YT920#MS



WT172M



TOTO

These dimensions and specifications are subject to change without notice