

SPECIFICATIONS

DESCRIPTION

- 1/2" female NPT inlet

FLOW

- 10 GPM/38 LPM at 60 PSI

STANDARDS

- ASME A112.18.1/CSA B125.1

WARRANTY

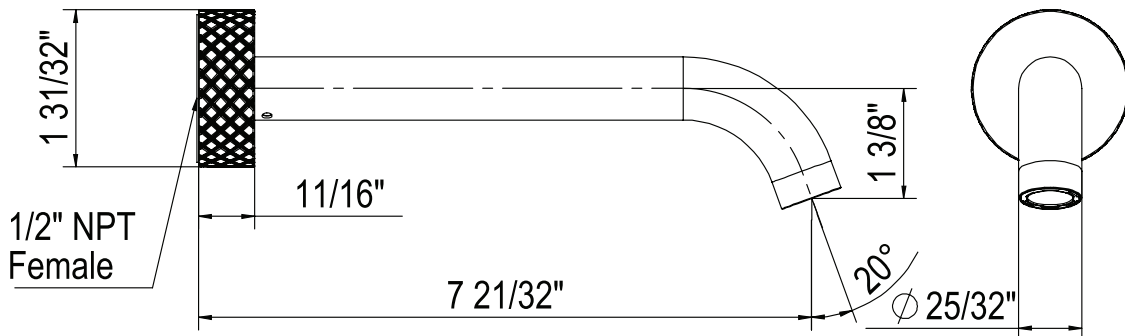
- Most products or parts carry "Limited Warranties" against manufacturing defects. For US customers please visit houseofrohl.com/support and for Canadian customers please visit houseofrohl.ca/support for complete product and finish warranty.



Tenerife™
Wall Mount Tub Spout

MODEL: TE16W1

cUPC®



For warranty or additional information, contact:

U.S.A.
houseofrohl.com/support
1-800-777-9762

QUEBEC / MARITIMES / WESTERN CANADA
QUÉBEC / MARITIMES / OUEST CANADIEN
QUEBEC / MARITIMOS / CANADA OCCIDENTAL
houseofrohl.ca/support
1-866-473-8442

ONTARIO
houseofrohl.ca/support
1-800-287-5354

