



ANZZI®

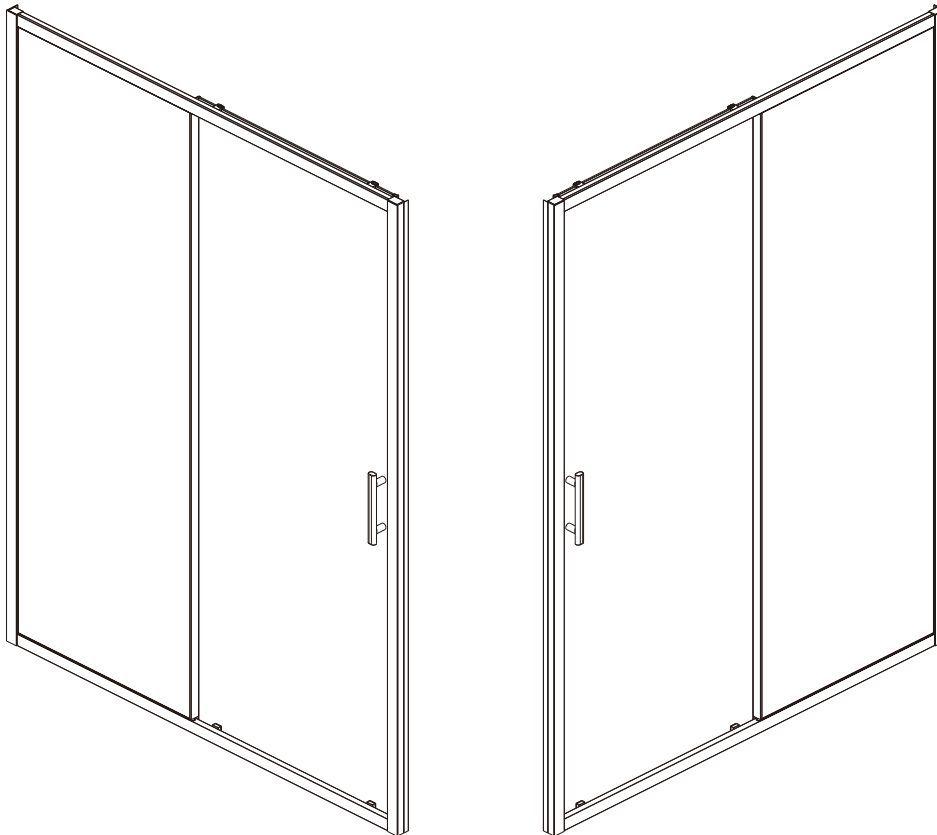
ITEM: SD-AZ052-01**

SD-AZ052-02**

ANZZI GLASS SHOWER DOOR
INSTALLATION & OPERATION MANUAL

V1.4

10/30/2022



DON'T WAIT! REGISTER NOW!

Register your product within 90 days to ensure your product is recognized as an official purchase and is eligible for warranty coverage.

Mail in the completed registry card (Pg. 2) or register online at www.swcorp.com/register.



PRODUCT REGISTRATION*

IMPORTANT: YOUR WARRANTY WILL NOT BE RECOGNIZED UNLESS THIS CARD IS FULLY COMPLETED AND RETURNED OR ONLINE REGISTRATION IS COMPLETED.

To ensure that your warranty is registered and confirmed please do one of the following:

1. Register online at www.swcorp.com/register. You will be asked to fill out the same information you would in the registration card. Registering online is fast, secure and ensures we receive your information.
2. Complete, cut out and mail the registration card below. By returning this registration card we confirm the date of purchase for your new product. This confirmation will allow us to process any warranty claims.

Mail the card to: 5701 NW 35 Avenue, Miami, FL 33142



Product Registration Card

Name..... Address

City..... State..... Zip.....

Phone Email.....

Date of Purchase Order or Purchase # SKU or Model #

Installer's Name Phone

I have read the Owner's Manual carefully and understand and agree that any installation, operation or maintenance of the product must be done strictly in accordance with instructions and guidelines contained in the owner's manual and installation guide.

Signature..... Date.....

Need help? For technical support call 305-614-4070 or visit us at www.ANZZI.com



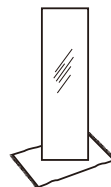
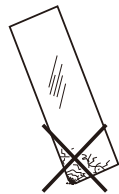
STOP!

**READ BEFORE YOU PROCEED!
TO KEEP GLASS FROM BREAKING, MAKE SURE:**

- 1. This product is heavy and requires two people to install.**
- 2. Glass corner protectors remain on during installation.**
- 3. Glass protective seals are mounted to the door before opening/closing.**
- 4. Glass panels are aligned & level with wall/floor.**
- 5. Slider must be installed correctly for smooth sliding.**

WARNING

PROTECTIVE EQUIPMENT MUST BE WORN WHEN HANDLING GLASS



INSTALLATION GUIDE

BEFORE YOU BEGIN

- Please check the product for damage and missing parts immediately upon delivery. Damage reported later will not be covered by our warranty. Please handle the product with care. Avoid any impact to the sides and edges of the glass.
- Consult your local building codes before installation.
- To reduce the risk of breakage, keep corner protectors on the glass while installing.
- If this unit is being installed in new construction, please install all required plumbing and drainage before installing the shower. Use a licensed plumber/contractor (if required by local code) for all plumbing installations.
- Before beginning installation, make sure all surfaces are level, solid and will support the total weight of the unit. Also, make sure the walls are at right angles. Irregular installation surface level, radius corners, or improper angle of side walls will result in serious problems for your installation. Please note that some adjustments and drilling might be necessary during the installation process.
- Please protect all primary surfaces of the product during installation. Never set your glass down directly onto a tile floor. Leave corner protectors in place until necessary to remove them. Always use wood or cardboard to protect the bottom edge and corners of the glass before and during installation.



WARNING

- This unit must be installed upon a finished threshold and against finished walls.
- Take care to avoid hidden pipes or electrical cables when drilling holes in walls.
- This product is heavy and requires two people to install it.
- When cutting or drilling metal components or handling glass, wear protective eye wear, gloves, and closed-toe shoes to reduce the risk of personal injury.
- Failure to follow instructions when installing this product may result in personal injury, property damage, or product failure and may void the warranty.

INSTALLATION GUIDE

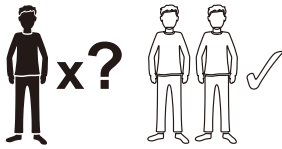
BEFORE YOU BEGIN



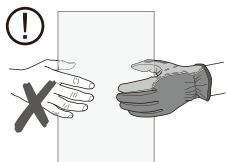
ATTENTION

- Threshold must be level for proper installation.
- This model requires a minimum 1-3/8" (35mm) of flat level threshold space for installation.

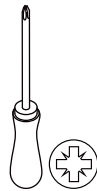
Tools Required



- This product is heavy and requires two people to install.



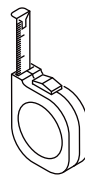
- Use cut-resistant, non-slip gloves to reduce the risk of personal injury and to hold the glass firmly.



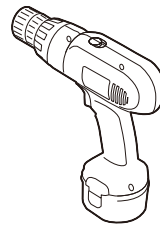
Phillips
Screwdriver



Level



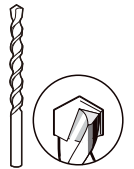
Tape
Measure



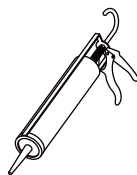
Drill



1/8"
(3mm)
Drill Bit



1/4"
(6mm)
Drill Bit



100%
Silicone
Sealant



Pencil



Rubber
Mallet



Safety
Glasses



Stud Finder



This product is heavy and requires two people to install.

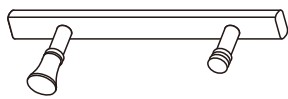
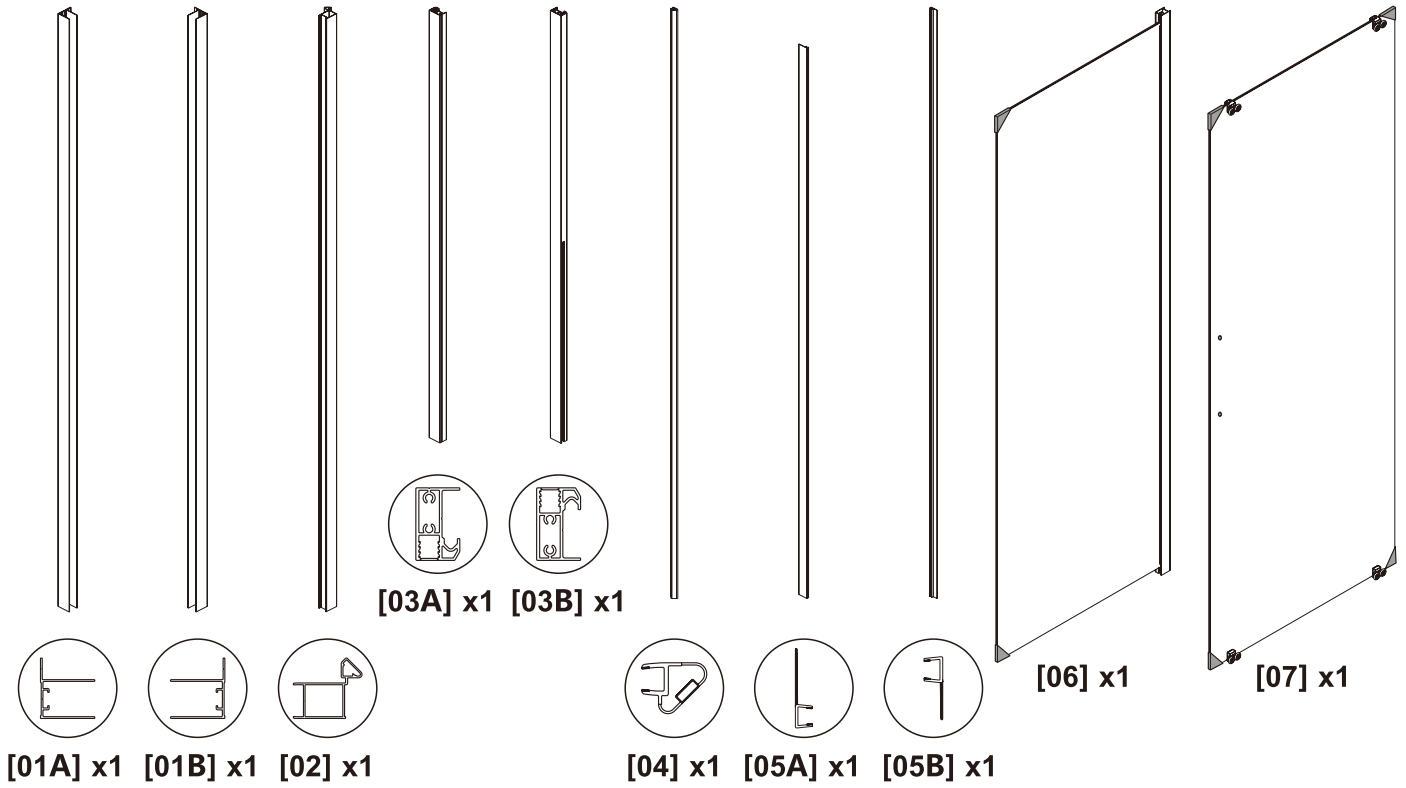




WARNING

To prevent damage to glass and potential injury, make sure to follow the instructions on page 1.

PARTS



[08] x1



[09] x8



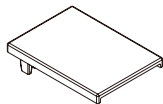
[10] x16 (ST4x35mm [1-3/8"])



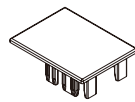
[11] x16



[12] x8 (ST4x8mm [5/16"])



[13] x2



[14] x2



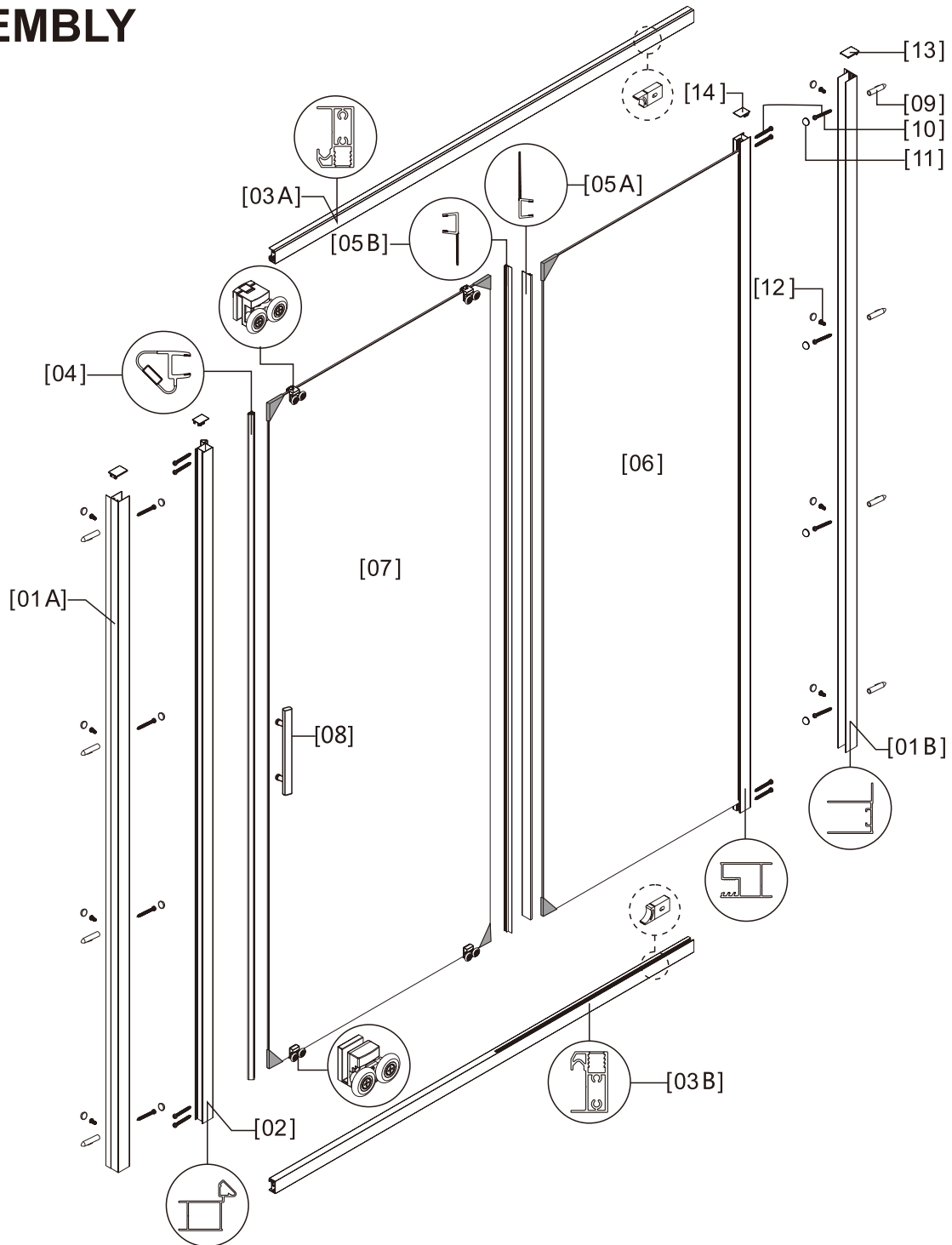
[15] Lubricant x1



WARNING

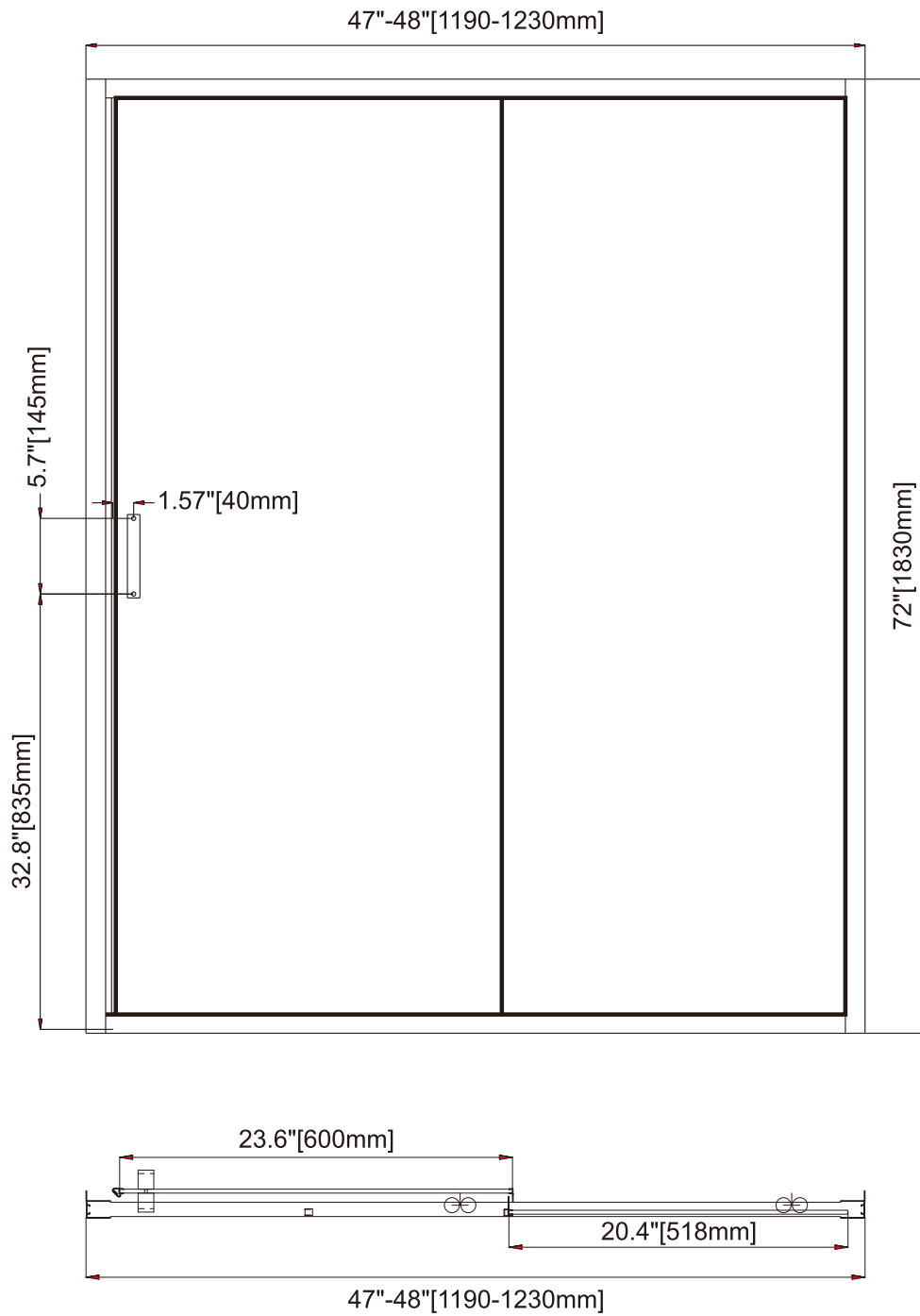
To prevent damage to glass and potential injury, make sure to follow the instructions on page 1.

ASSEMBLY

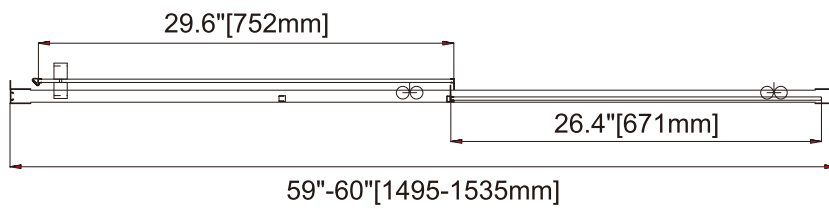
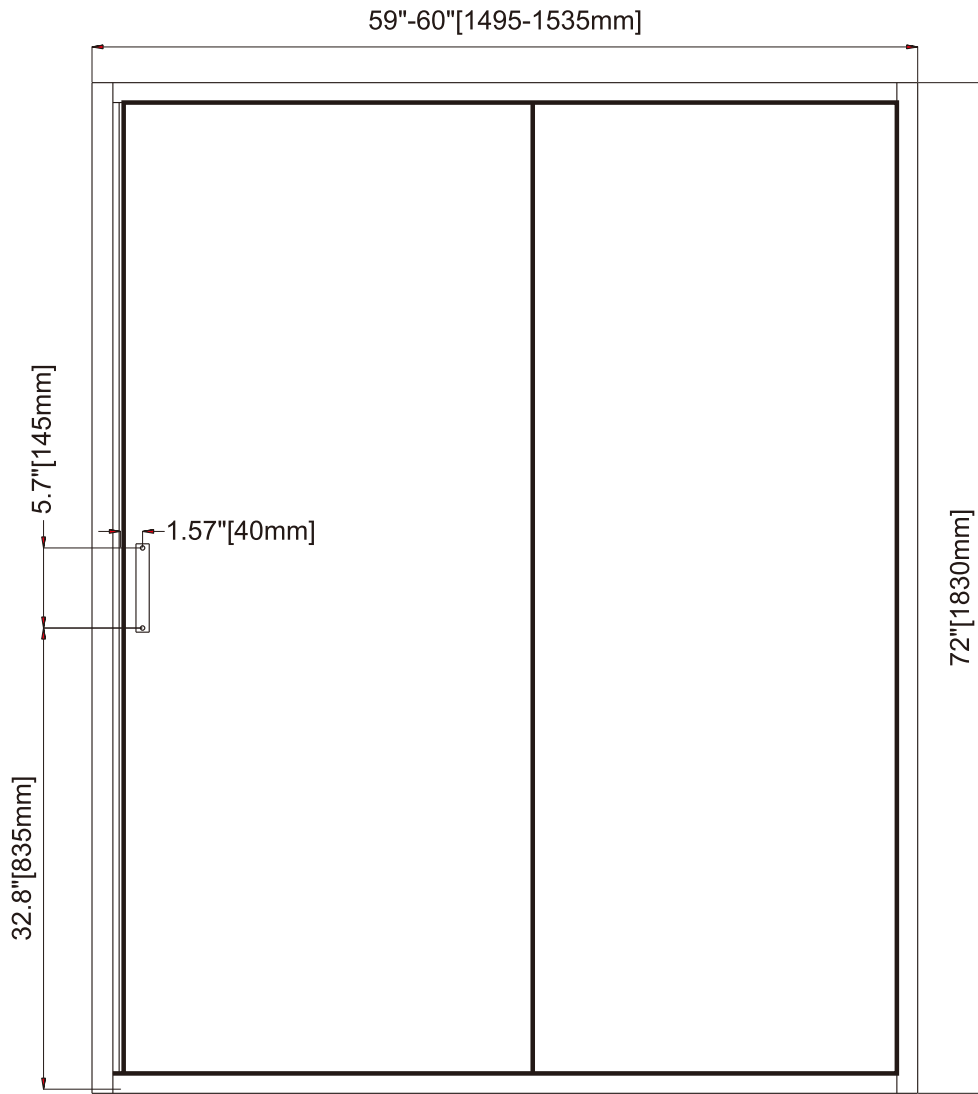


Part	Description	Qty.	Part	Description	Qty.
[01A]	Wall Post (L)	1	[07]	Door Panel	1
[01B]	Wall Post (R)	1	[08]	Handle Set	1
[02]	Post	1	[09]	Anchors	8
[03A]	Top Horizontal Rail	1	[10]	Screws ST4x35	16
[03B]	Bottom Horizontal Rail	1	[11]	Screw Caps	16
[04]	Magnetic Seal	1	[12]	Screws ST4x8	8
[05A]	Water Sealing Strips (Shorter)	1	[13]	Wall Post Covers	2
[05B]	Water Sealing Strips (Longer)	1	[14]	Post Covers	2
[06]	Fixed Panel	1			

SD-AZ052-01** 48*72"



SD-AZ052-02** 60*72"





ATTENTION

- To avoid personal injury or property damage, identify components and read all instructions before installing.
- This model requires a minimum 1-3/8" (35mm) of flat level threshold space for installation.
- The instructions below are for the **Fixed Panel [06]** option installed on the right.

INSTALLATION INSTRUCTIONS

Step 1

1. This shower door must be mounted to a wall stud. Minimum threshold space is required.
IMPORTANT: Using a stud finder, ensure the wall intended to hold the door has a stud at the installation point. If there is no stud in the shown area, we recommend employing a qualified contractor to install one. (Fig 1)
2. This manual shows left side installation. For right side installation, follow the instructions in page 19.
3. Using a level, position the **Wall Post L [01A]** and **Wall Post R [01B]** on the threshold. (Fig 1)

Note: Level threshold is necessary for proper installation.

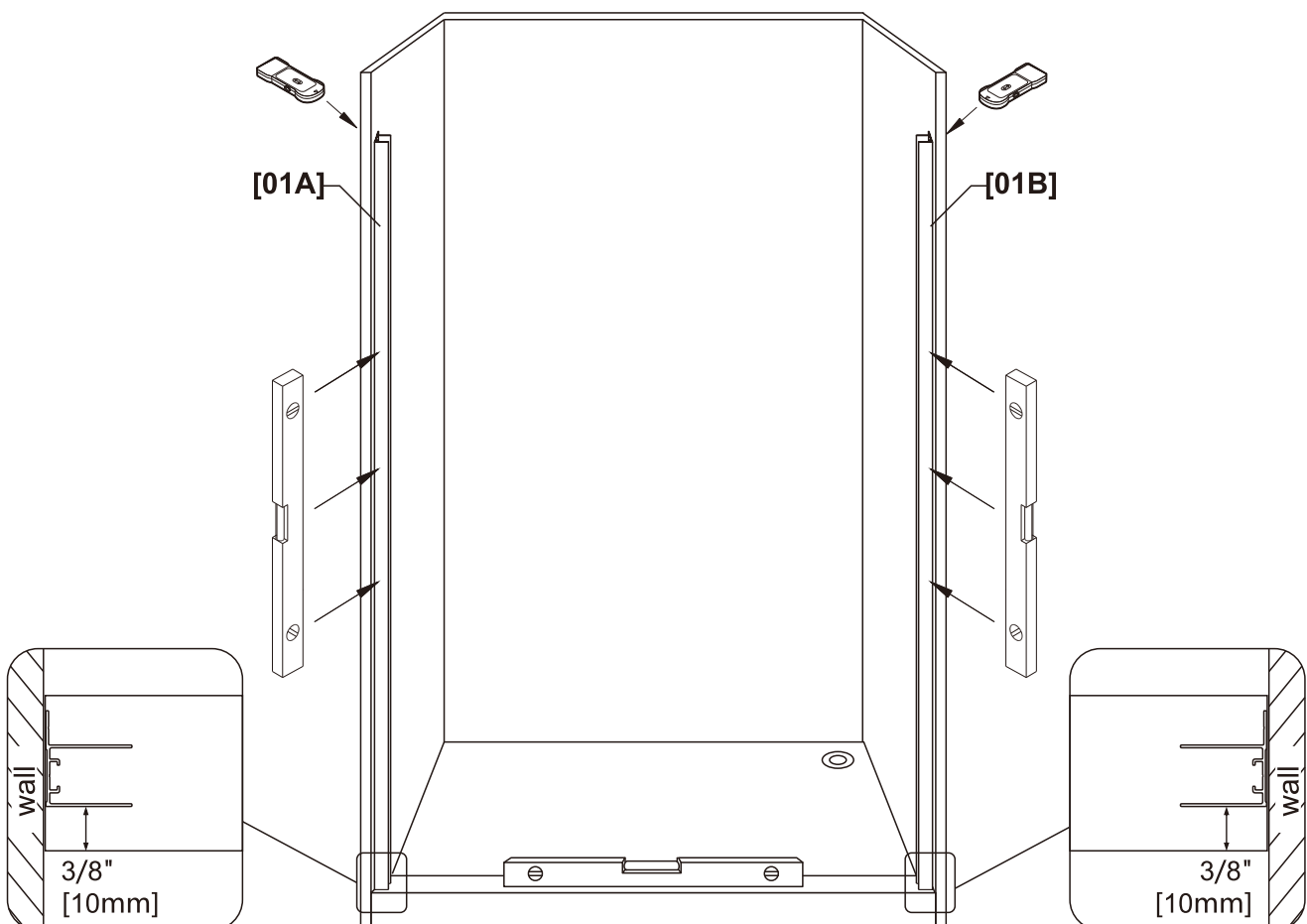


Fig 1

Step 2

1. Mark the drill hole locations on the wall using the predrilled holes in the **Wall Post L [01A]** and **Wall Post R [01B]** (Fig 2.1, Fig 2.4).
2. Drill a 1/4" hole at each location and insert the **Anchors [09]** (Fig 2.2, Fig 2.3, Fig 2.5, Fig 2.6).

ATTENTION

Wear safety glasses and cut-resistant, non-slip gloves when drilling or cutting to avoid risk of injury.

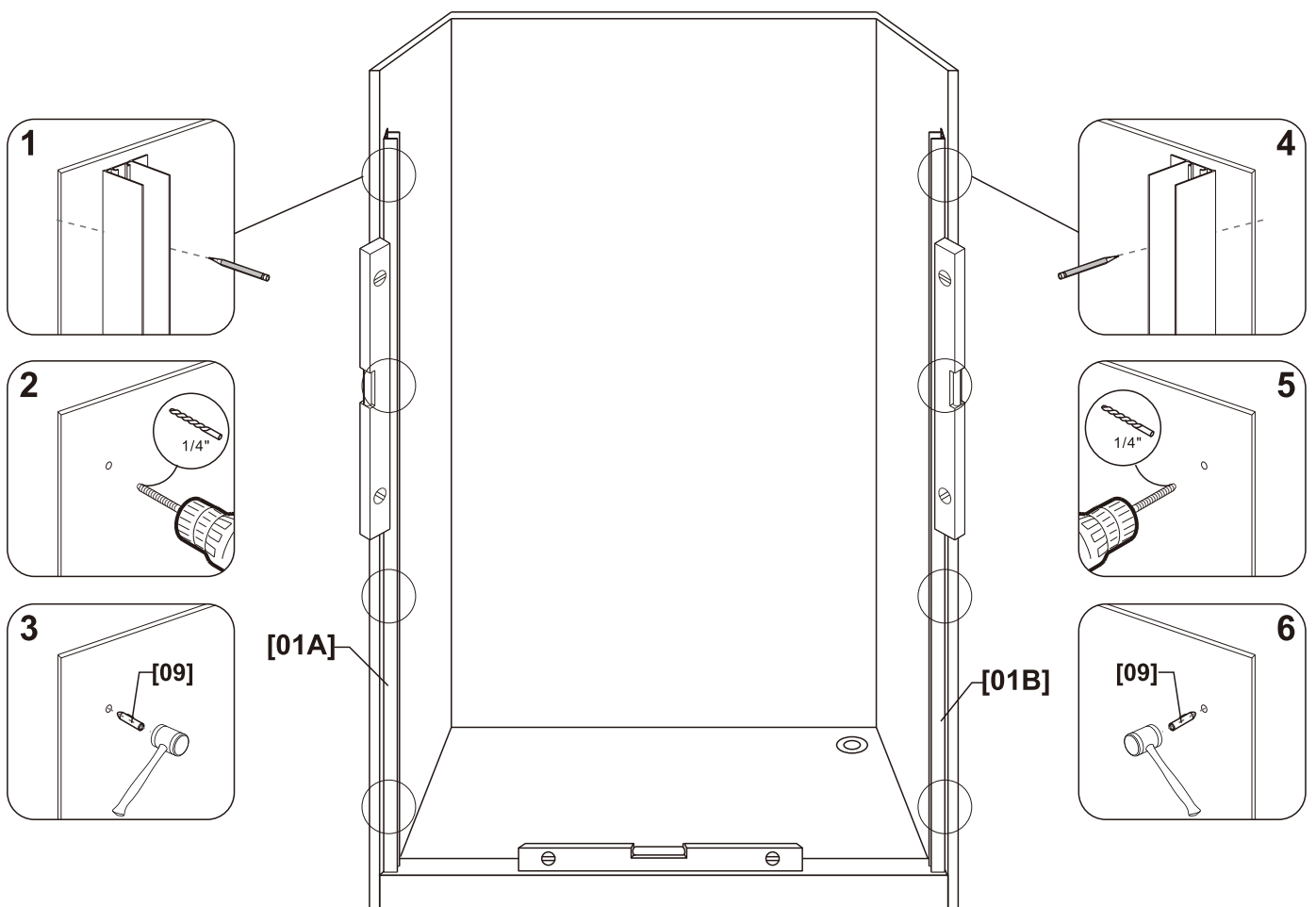


Fig 2



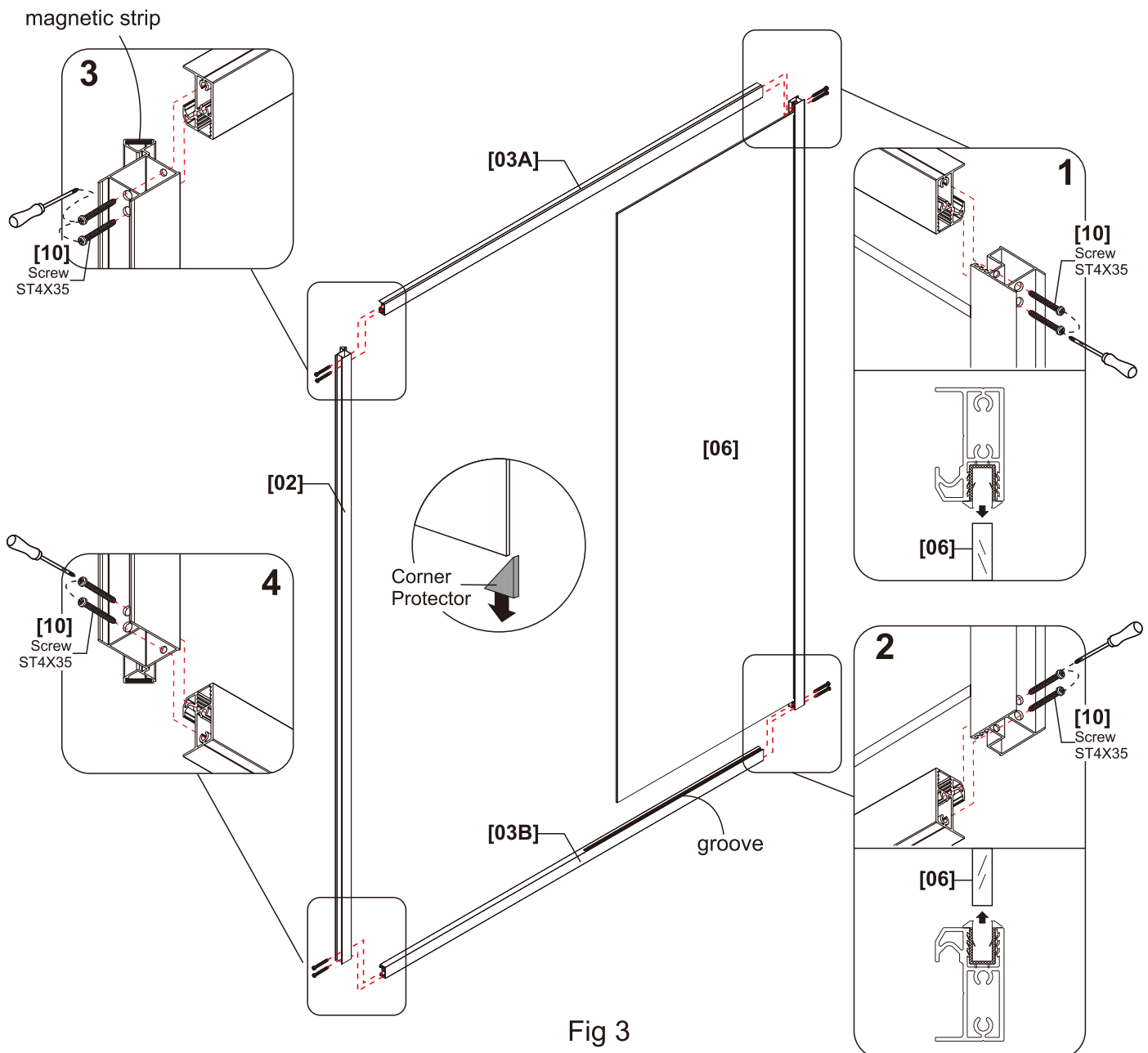
WARNING

To prevent damage to glass and potential injury, make sure to follow the instructions on page 1.

Step 3

1. Carefully remove the **Corner Protectors** from **Fixed Panel [06]**. Push the **Fixed Panel [06]** into the groove of **Top Horizontal Rail [03A]** & **Bottom Horizontal Rail [03B]** and secure the rails to post with four **Screws ST4x35 [10]**. (Fig 3.1, Fig 3.2)
2. Attach the **Post [02]** to the **Top Horizontal Rail [03A]** & **Bottom Horizontal Rail [03B]** and secure with four **Screws ST4x35 [10]** (Fig 3.3 & Fig 3.4).

Note: Make sure the **Post [02]** is installed with the magnetic strip facing the wall.





WARNING

To prevent damage to glass and potential injury, make sure to follow the instructions on page 1.

Step 4

1. Fasten the **Wall Post L [01A]** to the wall with the **Screw ST4X35 [10]** (Fig 4.1).
NOTE: The flanges of **Wall Post L [01A]** should be facing towards the wall after installation.
2. Cover the screw heads with the **Screw Caps [11]** (Fig 4.2).

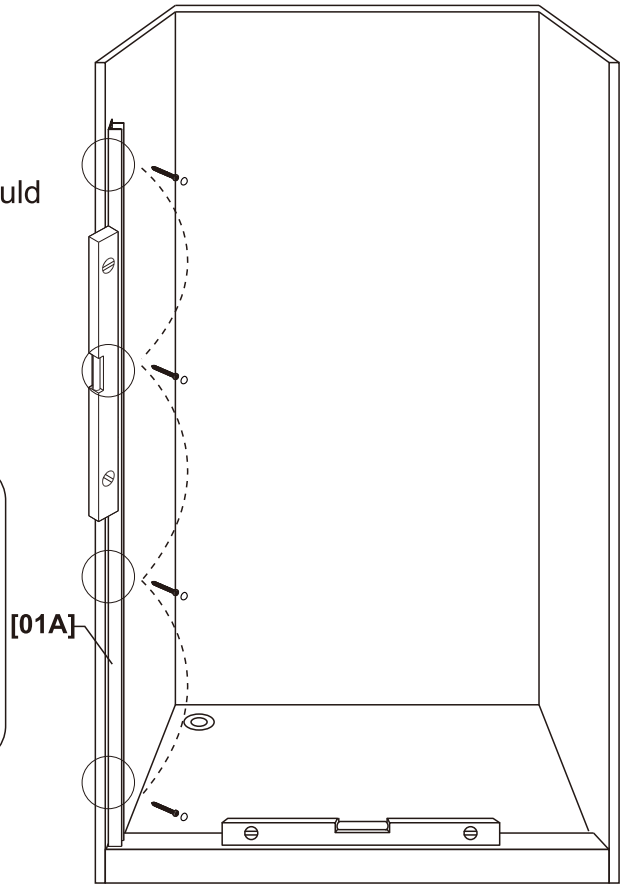
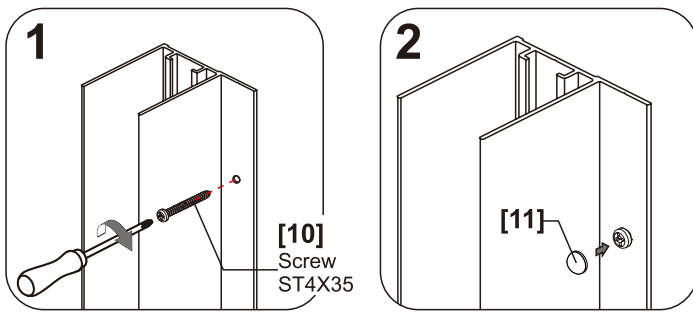


Fig 4

Step 5

1. Attach the **Wall Post R [01B]** to the Fixed Panel assembly.
NOTE: The flanges of **Wall Post R [01B]** should be facing towards the wall after installation. (Fig 5.1)
2. Install the Fixed Panel and Wall Posts assembly to the **Wall Post L [01A]** (Fig 5.2).

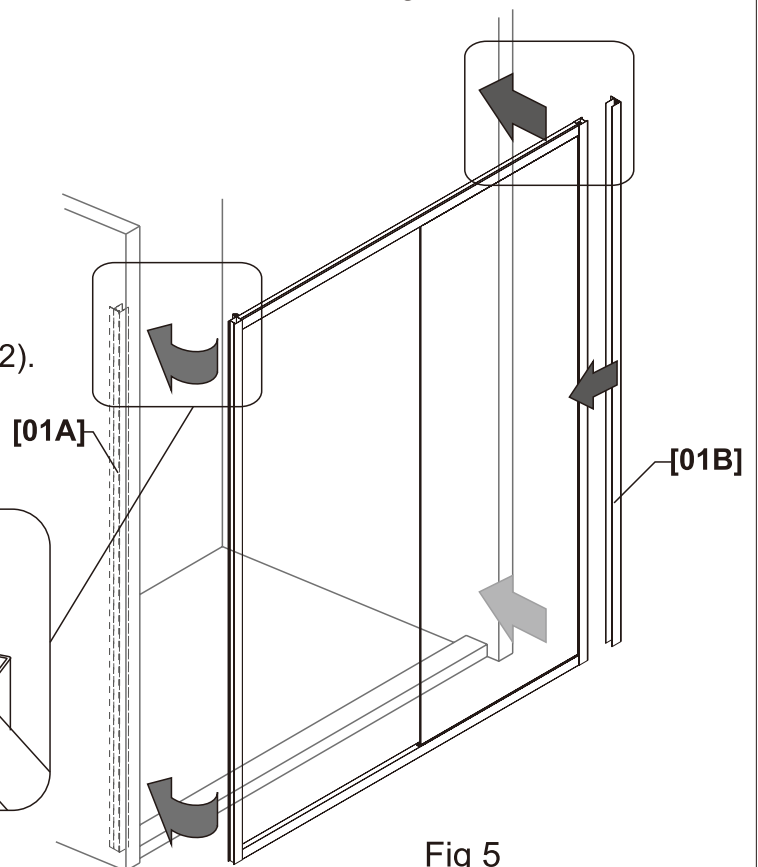
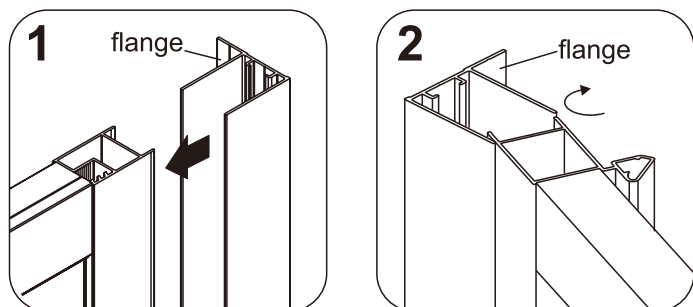


Fig 5

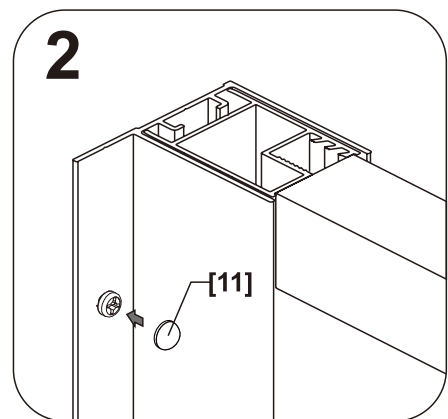
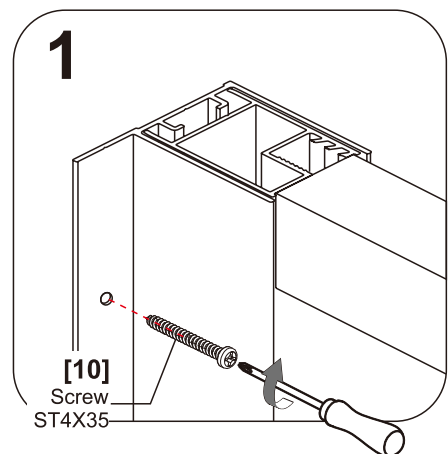
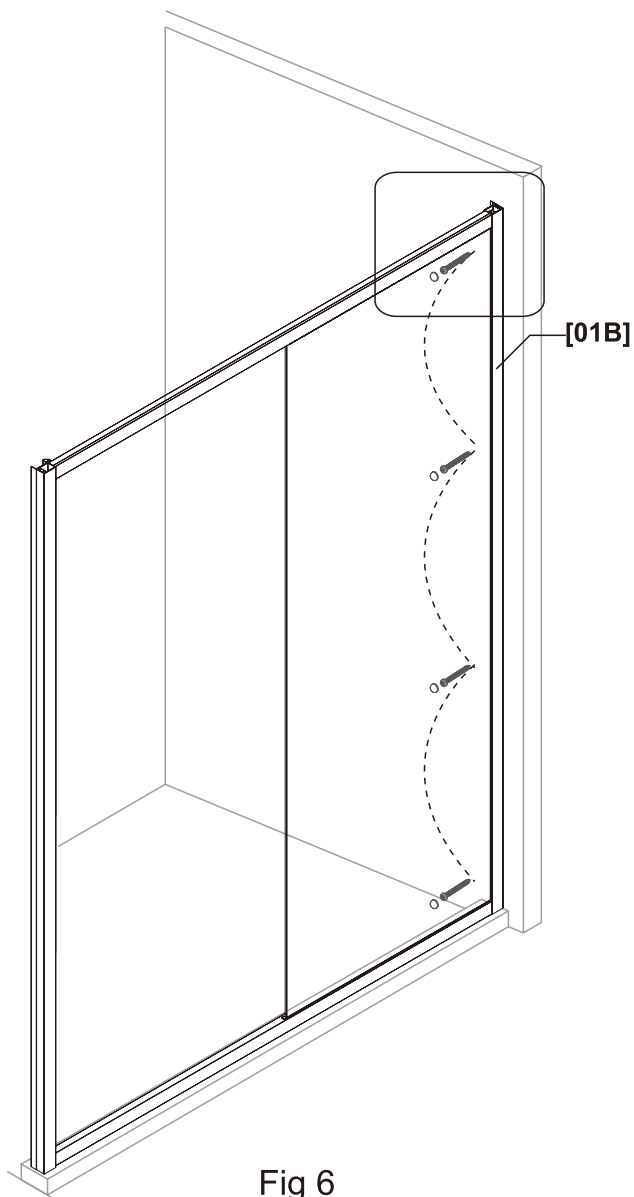


WARNING

To prevent damage to glass and potential injury, make sure to follow the instructions on page 1.

Step 6

1. Fasten the **Wall Post L [01B]** to the wall with the **Screw ST4X35 [10]** (Fig 6.1).
2. Cover the screw heads with the **Screw Caps [11]** (Fig 6.2).



Step 7

1. Make sure that the bottom rail is firmly attached to the threshold before screwing the wall posts and Fixed Panel assembly together.
2. Make any final adjustments (up to 1/2") if needed. Hold the Door Panel assembly steady and drill the holes through the first layer of the **Wall Post L [01A]** and **Wall Post R [01B]** into the Door Panel assembly using a 1/8" drill bit (Fig 7.1 & Fig 7.4).
3. Secure the Fixed Panel assembly with **Screws ST4x8 [12]** (Fig 7.2 & Fig 7.5).
4. Cover the screw heads with **Screw Caps [11]**. (Fig 7.3 & Fig 7.6)

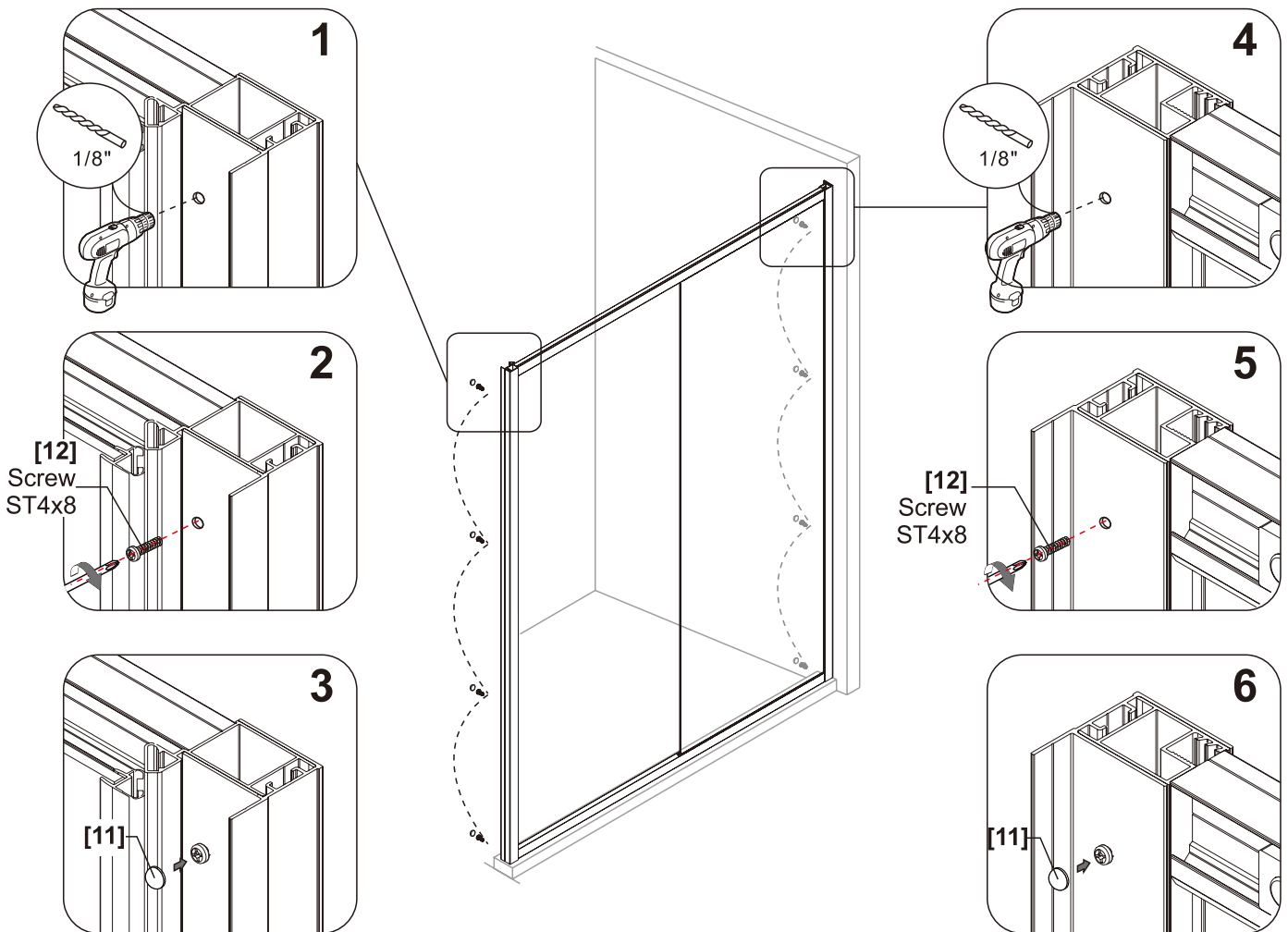


Fig 7



WARNING

To prevent damage to glass and potential injury, make sure to follow the instructions on page 1.

Step 8

1. Hang the **Door Panel [07]** into the groove of **Top Horizontal Rail [03A]**. Add some **Lubricant [15]** to the roller if necessary. (Fig 8.1)
2. Push the buttons to move the roller downward and push into the **Bottom Horizontal Rail [03B]**. Add some **Lubricant [15]** to the roller if necessary. (Fig 8.2)

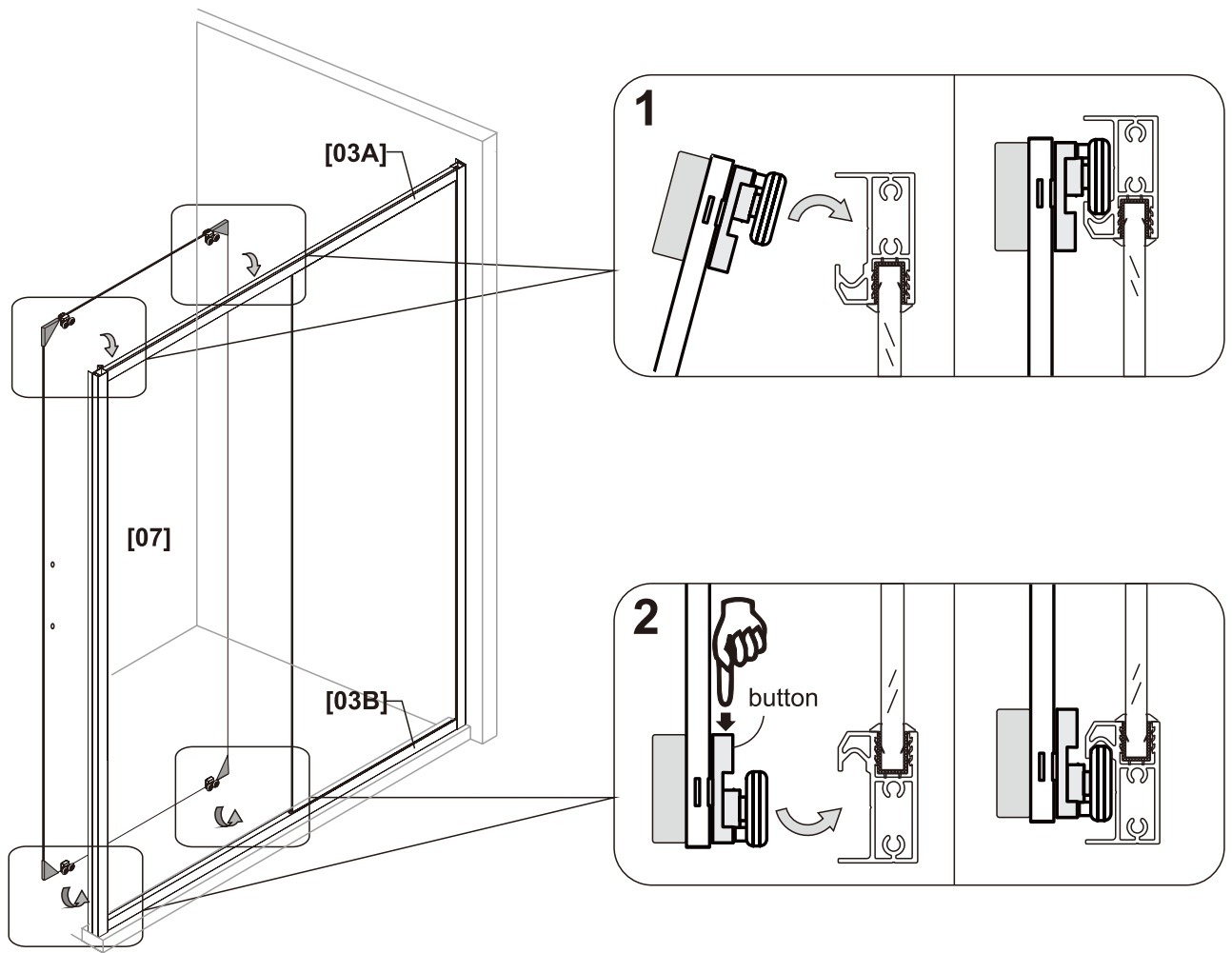


Fig 8

Step 9

1. Disassemble gaskets by removing handle lever and handle knob. (Fig 9.1)
2. Install handle and one gasket on the outer surface of **Door Panel [07]**. Connect the handle lever and one gasket to the handle from the other side of **Door Panel [07]** through the upper hole. Hand tighten the handle lever to secure. (Fig 9.2)
3. Connect the handle knob and one gasket to the handle from the other side of **Door Panel [07]** through the lower hole. Tighten the handle knob with an allen key to secure. (Fig 9.2)

IMPORTANT: Ensure handle gaskets are placed on each side of glass.

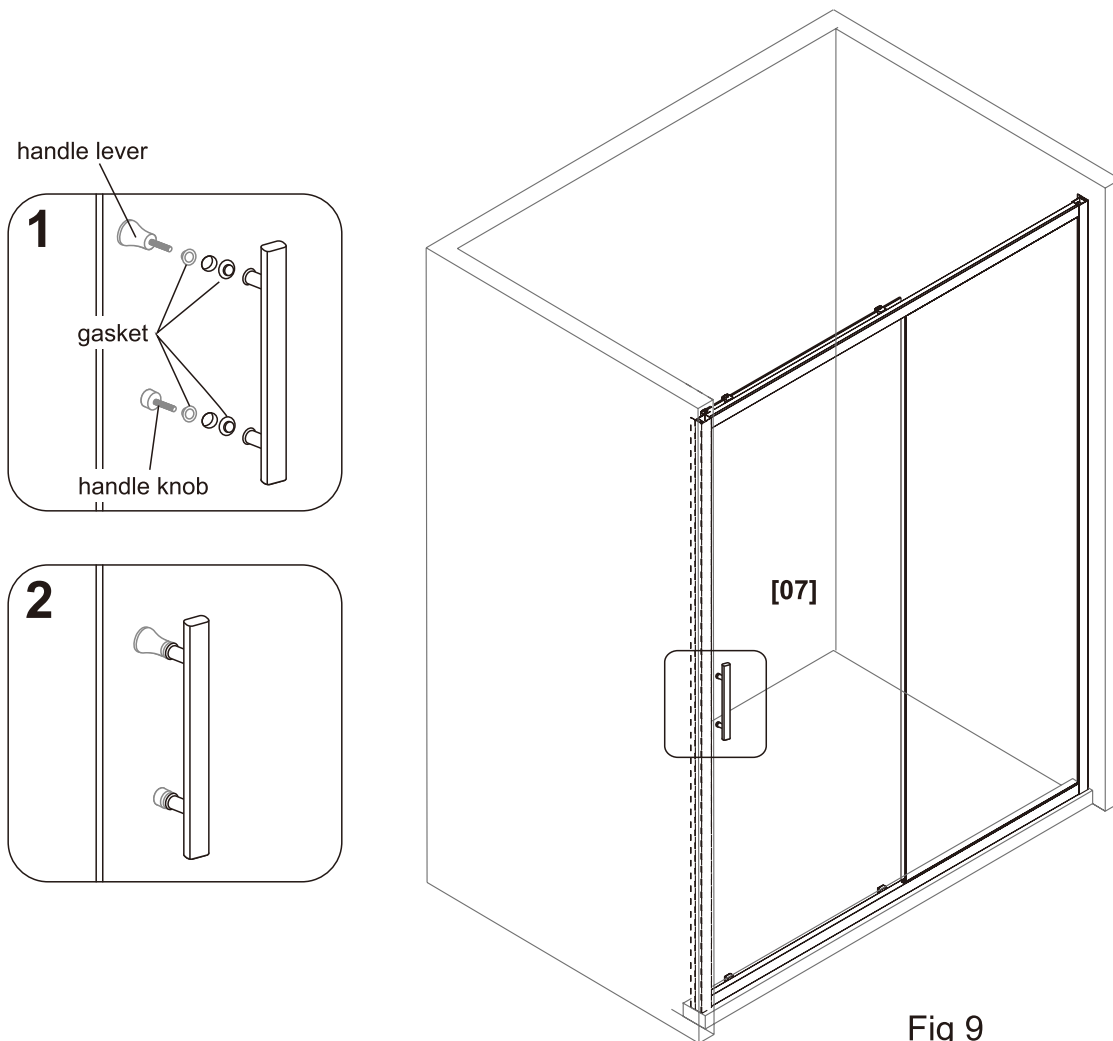


Fig 9



WARNING

To prevent damage to glass and potential injury, make sure to follow the instructions on page 1.

Step 10

1. Carefully remove the **Corner Protectors**. Attach the **Water Sealing Strips [05]** to the **Fixed Panel [06]** and the side of **Door Panel [07]** closest to the **Fixed Panel [06]**. (Fig 10.1 & Fig 10.2)

Note: Make sure when you attach the **Water Sealing Strip (Shorter) [05A]** to the **Fixed Panel [06]** that the flange faces inside the shower. Make sure when you attach the **Water Sealing Strip (Longer) [05B]** to the **Door Panel [07]** that the flange faces outside the shower.

2. Attach the **Magnetic seal [04]** to the side of **Door Panel [07]** closest to the Wall Post with the Magnetic strip. (Fig 10.3)

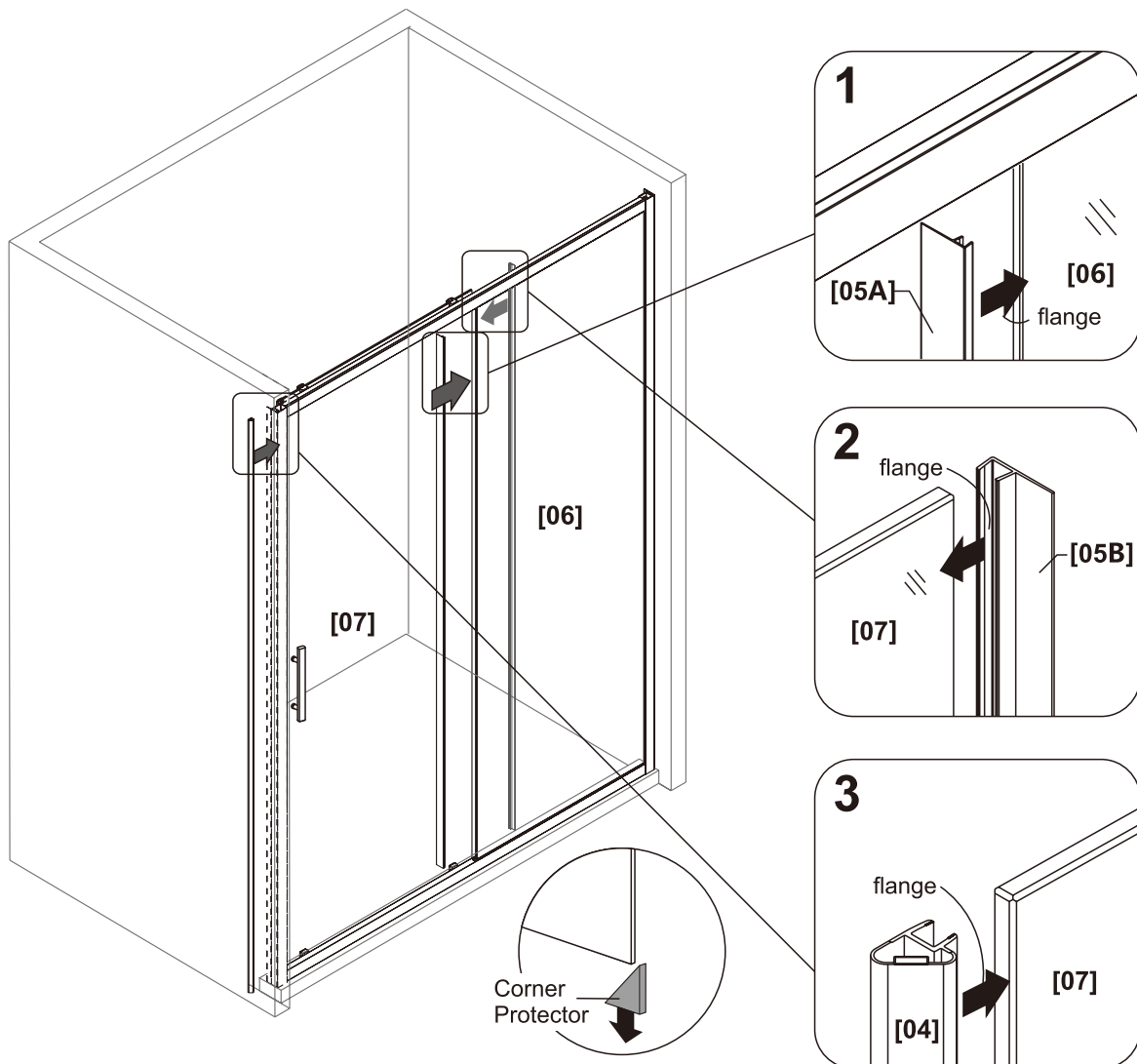


Fig 10

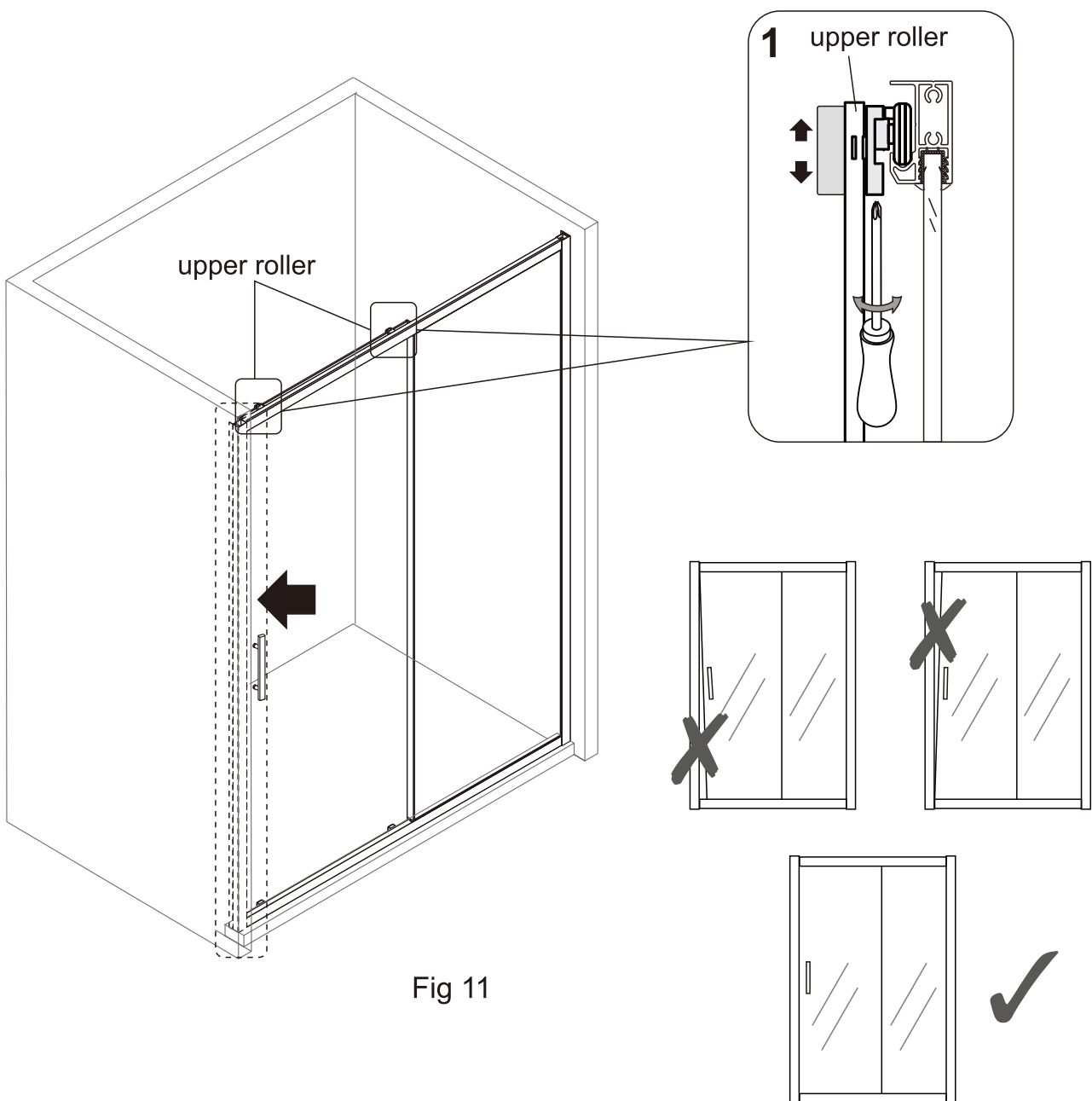


WARNING

To prevent damage to glass and potential injury, make sure to follow the instructions on page 1.

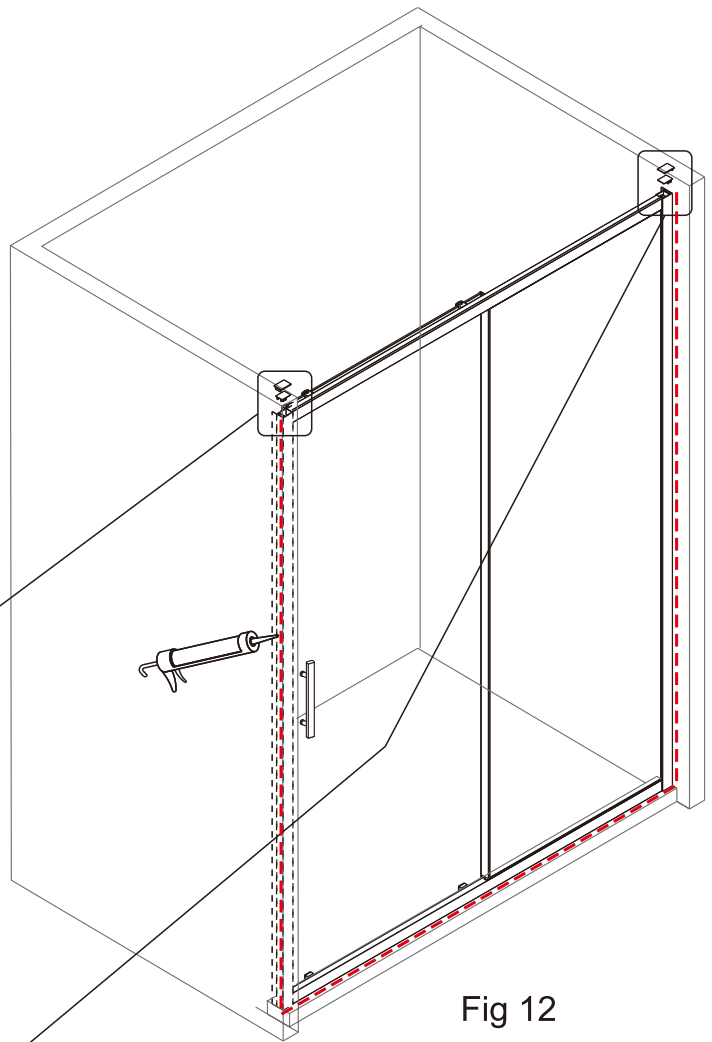
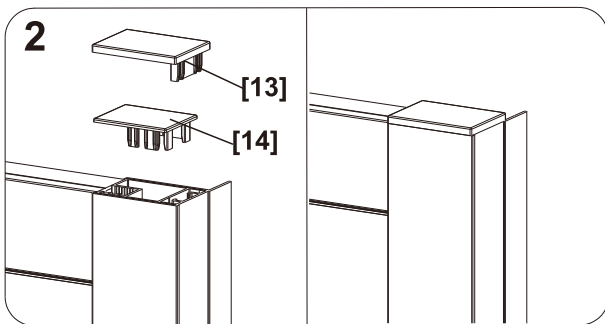
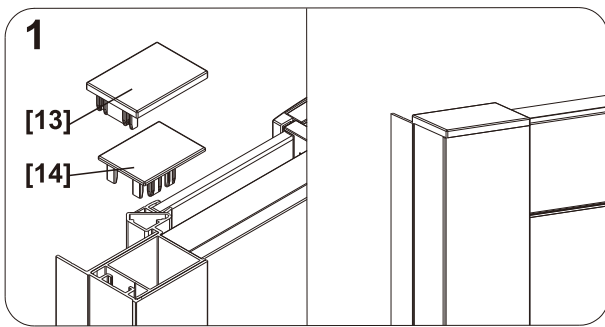
Step 11

1. Close the door so that the **Magnetic Seal [04]** can attach to the magnetic seal of the **Post [02]** from top to bottom. Adjust the position of **Door Panel [07]** by following Step 11.2 if the magnetic seal does not fully close the door. (Fig 11)
2. Adjust the position of upper roller by turning the screws under the roller assembly to eliminate the gap between the magnetic seals and create smoother operation. (Fig 11.1)



Step 12

1. Install **Wall Post Cover [13] & Post Cover [14]** to the post. (Fig 12.1 & Fig 12.2)
2. Apply a good quality Silicone Sealant at the outer corner formed by the wall and the shower door. (Fig 12)



Allow 24 hours for the silicone to fully cure before using the shower.





WARNING

To prevent damage to glass and potential injury, make sure to follow the instructions on page 1.

RIGHT SIDE INSTALLATION

The previous steps are for left side installation. For right side installation, please follow the instructions below.

1. Install the shower door by following step 1 through step 4 of the right side installation instructions". Then, flip the Fixed Panel assembly as in step 5 and install.
2. Secure the Fixed Panel assembly as in step 6&7.
3. Before installing the **Door Panel [07]** as in step 8, move the wheel assemblies of **Door Panel [07]** to the other side of it by removing the covers and screws. Secure the wheel assemblies again. Do not transpose the wheel assemblies. (Fig 13)
4. Continue by following left side installation steps 9-12.

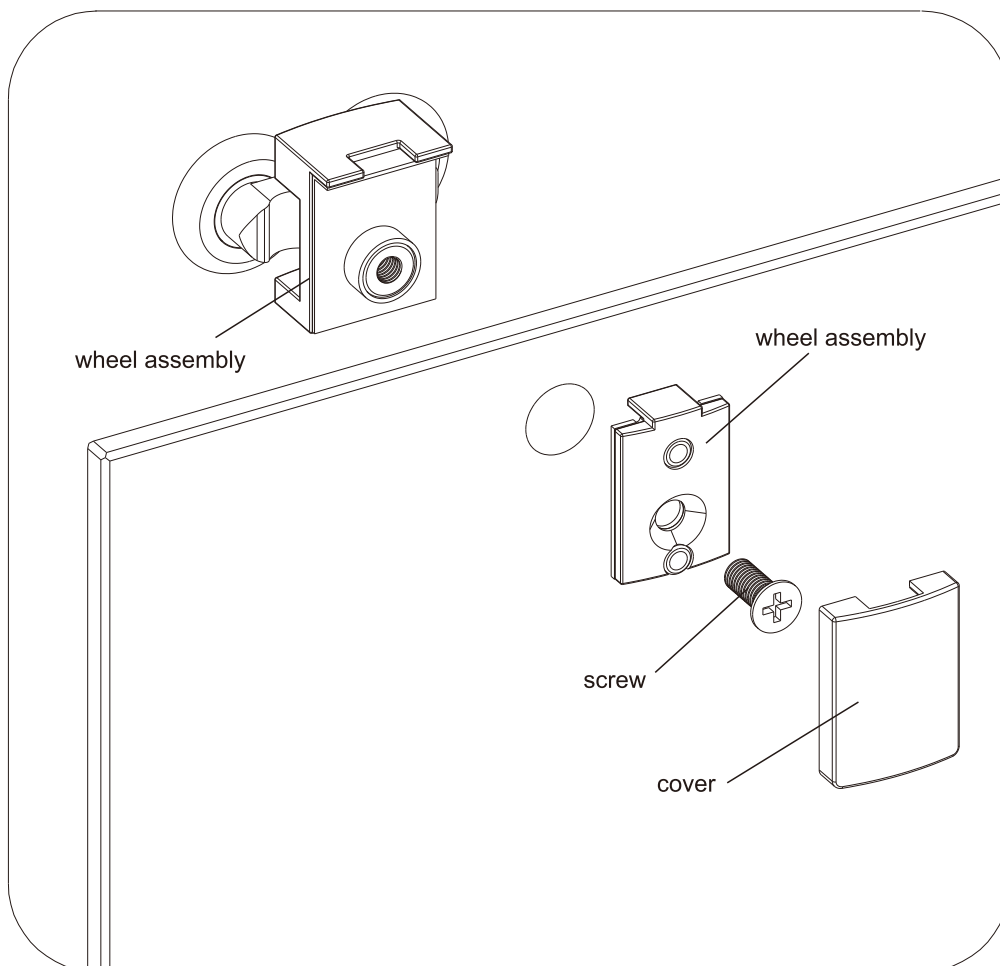


Fig 13

Care & Maintenance

BASES and BACK WALLS: Wipe them off after each use with a soft cloth. To clean the acrylic surface, use non-abrasive sprays or cream based cleaners. Avoid the use of aerosol spray cleaners. Never use abrasive cleansers, metal brushes, or scrapers, as they can scratch or dull the surface.

GLASS: Wipe off the glass after each use with either a soft cloth or a squeegee to prevent soap buildup and water spots (hard water can etch the surface of the glass over time if left to dry). To avoid damaging the surface, never use abrasive cleaners or cleaning products that contain scouring agents. Likewise, never use bristle brushes or abrasive sponges that can scratch the surface.

HARDWARE: To ensure a long-lasting finish, wipe off the metal parts after using with a soft cloth. Do not use abrasive cleaners or cleaning products containing ammonia, bleach, or acid. If accidentally used, rinse the surface as soon as possible to prevent damage to the finish (peeling or corrosion). After cleaning the polished finishes, rinse thoroughly and wipe dry with a soft cloth. Clean stainless steel surfaces at least once a week. When applying stainless steel cleaner or polish to stainless steel hardware, work with (not across) the grain. Never use an abrasive sponge or cloth, steel wool, or wire brush, which may permanently scratch the surfaces.

NOTE: Regularly inspect the glass and all hardware for misalignment, proper attachment, and damage. Contact ANZZI with any questions or concerns.

