

## ECOPOWER® Toilet Flush Valve, 1.6 GPF

### FEATURES

- 1.6 GPF
- Self-powered hydroelectric flush valve system
- No minimum daily usage requirement
- 4" x 4" stainless steel cover plate with brushed satin finish and solid bronze valve body
- Self-cleaning piston valve with 360° filter screen
- Neutral rough-in and adjustable tail piece connection
- Manual flush override
- Smart sensor with self-adjusting detection range
- 6 second detection time to prevent ghost flushing
- Concealed flush valve with 1" angle stop and 1-1/2" vacuum breaker set
- Protects trap seal with a maintenance flush if not used in a 24 hr period
- IoT-enabled options available to remotely monitor usage rates, water consumption, fixture performance and streamline operations in real time with instant alerts



### OPTIONAL ACCESSORIES

- **Z-4000-J**  
Adapter for ground joint angle stops

### COLORS/FINISHES

- #SS Stainless Steel

### MODELS

Kit Options	Component Breakdown		
	Flush Valve	Vacuum Breaker Set	IoT Card
<b>TET3GBi31#SS</b>	TET3GBi#SS	VB1331R#RB (back spud)	*
<b>TET3GBi32#SS</b>	TET3GBi#SS	VB0932R#RB (top spud)	*
<b>TET3GBi4#SS</b>	TET3GBi#SS		THP3566
<b>TET3GBi431#SS</b>	TET3GBi#SS	VB1331R#RB (back spud)	THP3566
<b>TET3GBi432#SS</b>	TET3GBi#SS	VB0932R#RB (top spud)	THP3566

\*Requires communication card (sold separately) for IoT functionality

### PRODUCT SPECIFICATION

TOTO® Model No. \_\_\_\_\_ Product shall be 1.6 GPF. Product shall be an automatic infrared sensor-activated, toilet flush valve. Product shall use hydropower, ECOPOWER flush valve system. Product shall have 4" x 4" cover plate with brushed stainless steel finish and solid bronze valve body. Product shall have smart sensor with self-adjusting detection range. Product shall have neutral rough-in and adjustable tail piece connection. Product shall have manual flush override. Product shall have 6 second detection time to prevent ghost flushing. Product shall have piston with debris screen and solenoid with self-cleaning mechanism.

### CODES/STANDARDS

- Meets or exceeds ASSE 1037/ASME A112.1037/CSA B125.37
- FCC compliant to Part 15
- Certifications: IAPMO(cUPC), State of Massachusetts, and others
- Code Compliance: UPC, IPC, NSPC, NPC Canada, and others
- ADA compliant
- Complies with CA Prop 65 warning requirements



### SPECIFICATIONS

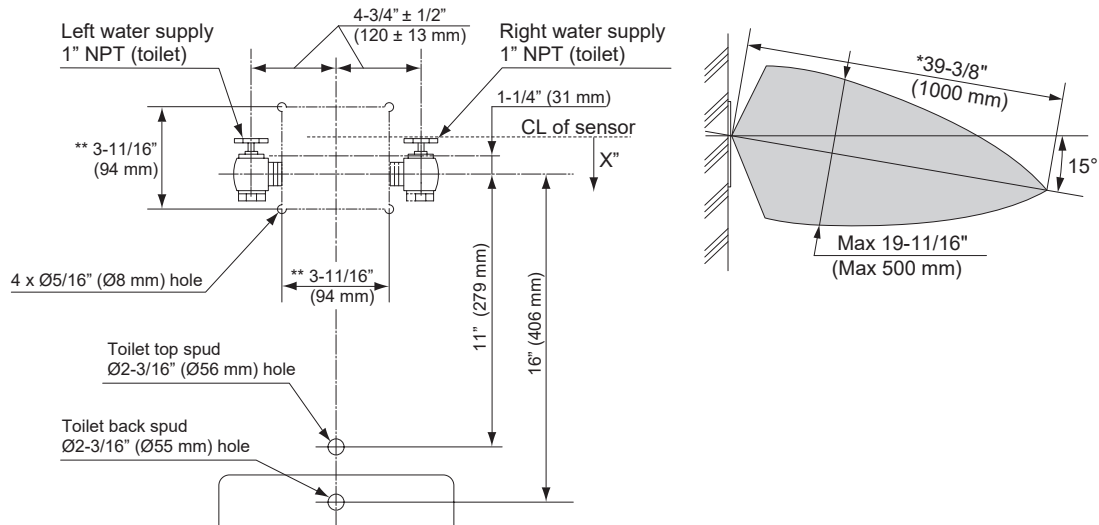
<b>Material</b>	Bronze casting
<b>Power Supply</b>	ECOPOWER
<b>IoT Capacity</b>	IoT-Enabled
<b>Sensor Detection Time</b>	Factory setting at six (6) seconds minimum
<b>Sensor Detection Range</b>	Self-adjusting to environment
<b>Discharge Quantity</b>	Preset to 1.6 GPF / 6.0 LPF
<b>Operating Temperature</b>	32-104°F (0-40°C)
<b>Water Source</b>	Tap water (Municipal Supply Only)
<b>Water Supply Pressure</b>	Min: 25 psi (flowing) Max: 125 psi (static)
<b>Water Supply Connection</b>	1" NPT
<b>Warranty</b>	Three year limited

\*Water pressures over 80 psi are not recommended for most plumbing fixtures. Check your local plumbing code for details.

### INSTALLATION NOTES

- For commercial applications only.
- Warning: Failure to properly adjust angle stop to the appropriate level can potentially cause property damage.
- For detailed installation instructions, please refer to the installation manual.
- Max flow rate to be used with TET3GBi \_\_\_\_\_: 1.6 GPF
- Confirm with local codes and standards for floor drain requirement. Adjust control stop for proper flow rate to the fixture.
- The flush valve must remain accessible for maintenance and service purposes. An access panel at least 12" x 12" or a walk-in chase is required.
- The flush valve requires a minimum of 7" (178mm) depth in the wall.
- Do not place grab bars in front of sensor for ADA stalls.
- For IoT installation, provide at least 13/16" (20mm) clearance between the face of the controller cover and any surrounding structure. Please refer to the diagram below.

### DIMENSIONS



\* X", ± = At least 5" clearance from sensor to tip of toilet seat up position or to top of grab bar is required to avoid false detection.

\*\* Opening in wall

