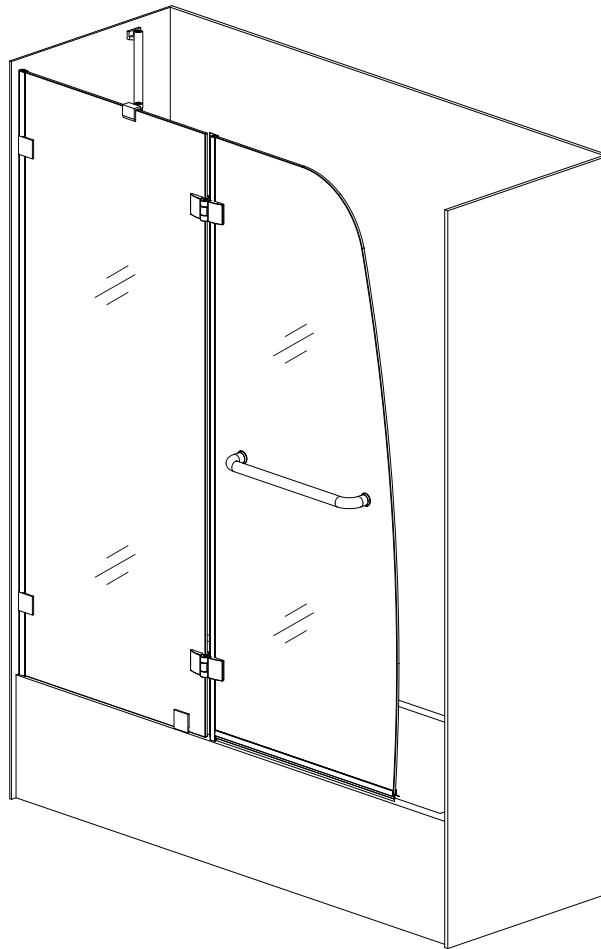




ANZZI®

ITEM: SD-AZ11-01\*\*(SD-AZ8076-01\*\*)  
ANZZI GLASS SHOWER DOOR  
INSTALLATION & OPERATION MANUAL

V2.0  
10/30/2022



# DON'T WAIT! REGISTER NOW!

Register your product within 90 days to ensure your product is recognized as an official purchase and is eligible for warranty coverage.

Mail in the completed registry card (Pg. 2) or register online at [www.swcorp.com/register](http://www.swcorp.com/register).



## PRODUCT REGISTRATION\*

**IMPORTANT: YOUR WARRANTY WILL NOT BE RECOGNIZED UNLESS THIS CARD IS FULLY COMPLETED AND RETURNED OR ONLINE REGISTRATION IS COMPLETED.**

To ensure that your warranty is registered and confirmed please do one of the following:

1. **Register online at [www.swcorp.com/register](http://www.swcorp.com/register).** You will be asked to fill out the same information you would in the registration card. Registering online is fast, secure and ensures we receive your information.
2. **Complete, cut out and mail the registration card below.** By returning this registration card we confirm the date of purchase for your new product. This confirmation will allow us to process any warranty claims.

**Mail the card to: 5701 NW 35 Avenue, Miami, FL 33142**



### Product Registration Card

Name..... Address .....

City..... State..... Zip.....

Phone ..... Email.....

Date of Purchase ..... Order or Purchase # ..... SKU or Model # .....

Installer's Name ..... Phone .....

I have read the Owner's Manual carefully and understand and agree that any installation, operation or maintenance of the product must be done strictly in accordance with instructions and guidelines contained in the owner's manual and installation guide.

Signature \_\_\_\_\_ Date \_\_\_\_\_

**Need help? For technical support call 305-614-4070 or visit us at [www.ANZZI.com](http://www.ANZZI.com)**



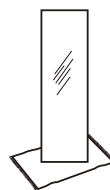
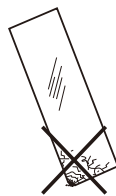
# STOP!

**READ BEFORE YOU PROCEED!  
TO KEEP GLASS FROM BREAKING, MAKE SURE:**

- 1. This product is heavy and requires two people to install.**
- 2. Glass corner protectors remain on during installation.**
- 3. Glass protective seals are mounted to the door before opening/closing.**

## **WARNING**

PROTECTIVE EQUIPMENT MUST BE WORN WHEN HANDLING GLASS



# INSTALLATION GUIDE

## BEFORE YOU BEGIN

- Please check the product for damage and missing parts immediately upon delivery. Damage reported later will not be covered by our warranty. Please handle the product with care. Avoid any impact to the sides and edges of the glass.
- Consult your local building codes before installation.
- To reduce the risk of breakage, keep corner protectors on glass while installing.
- If this unit is being installed in new construction, please install all required plumbing and drainage before installing the shower. Use a licensed plumber/contractor (if required by local code) for all plumbing installations.
- Before beginning installation, make sure all surfaces are level, solid and will support the total weight of the unit. Also, make sure the walls are at right angles. Irregular installation surface level, radius corners, or improper angle of side walls will result in serious problems for your installation. Please note that some adjustments and drilling might be necessary during the installation process.
- Please protect all primary surfaces of the product during installation. Never set your glass down directly onto a tile floor. Leave corner protectors in place until necessary to remove them. Always use wood or cardboard to protect the bottom edge and corners of the glass before and during installation.



## WARNING

- This unit must be installed on a finished threshold and against finished walls.
- Take care to avoid hidden pipes or electrical cables when drilling holes in walls.
- This product is heavy and requires two people to install it.
- When cutting or drilling metal components or handling glass, wear eye protection, gloves, and closed-toe shoes to reduce the risk of personal injury.
- Failure to follow instructions when installing this product may result in personal injury, property damage, or product failure and may void the warranty.

# INSTALLATION GUIDE

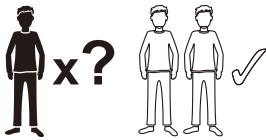
## BEFORE YOU BEGIN



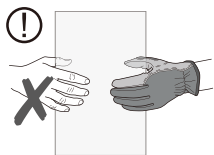
### ATTENTION

- Surface of the threshold or tub deck must be level for proper installation.
- This model requires a minimum 1"(25.4mm) flat level threshold or tub deck space for installation.

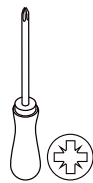
## Tools Required



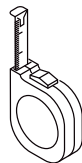
- This product is heavy and requires two people to install.



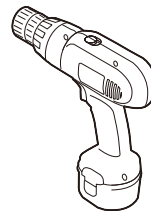
- Use cut-resistant, non-slip gloves to reduce the risk of personal injury and to hold the glass firmly.



Phillips  
Screwdriver



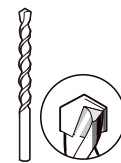
Tape  
Measure



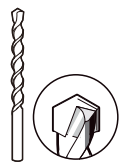
Drill



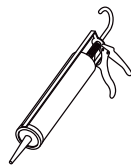
1/8"  
(3mm)  
Drill Bit



1/4"  
(6mm)  
Drill Bit



5/16"  
(8mm)  
Drill Bit



100%  
Silicone  
Sealant



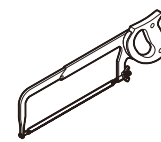
Pencil



Rubber  
Mallet



Safety  
Glasses



Hack  
Saw



Metal File



Tin Snips



Stud Finder



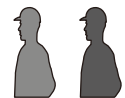
Knife



Level



This product is heavy and requires two people to install.

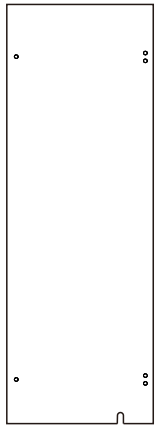




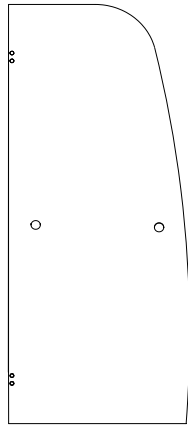
# WARNING

To prevent damage to glass and potential injury, make sure to follow the instructions on page 1.

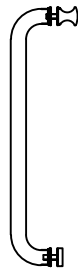
## PARTS



[01]x1



[07]x1



[10]x1



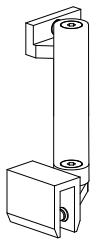
[12]x1



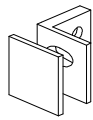
[06]x1



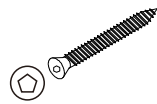
[09]x1



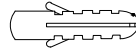
[02]x1



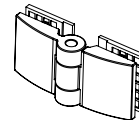
[03]x2



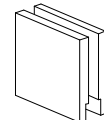
[04]x3  
ST5x40



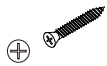
[05]x3



[08]x2



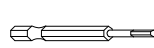
[11]x1



[13]x1  
ST4x20



[14]x1



[15]x1



[16]x1



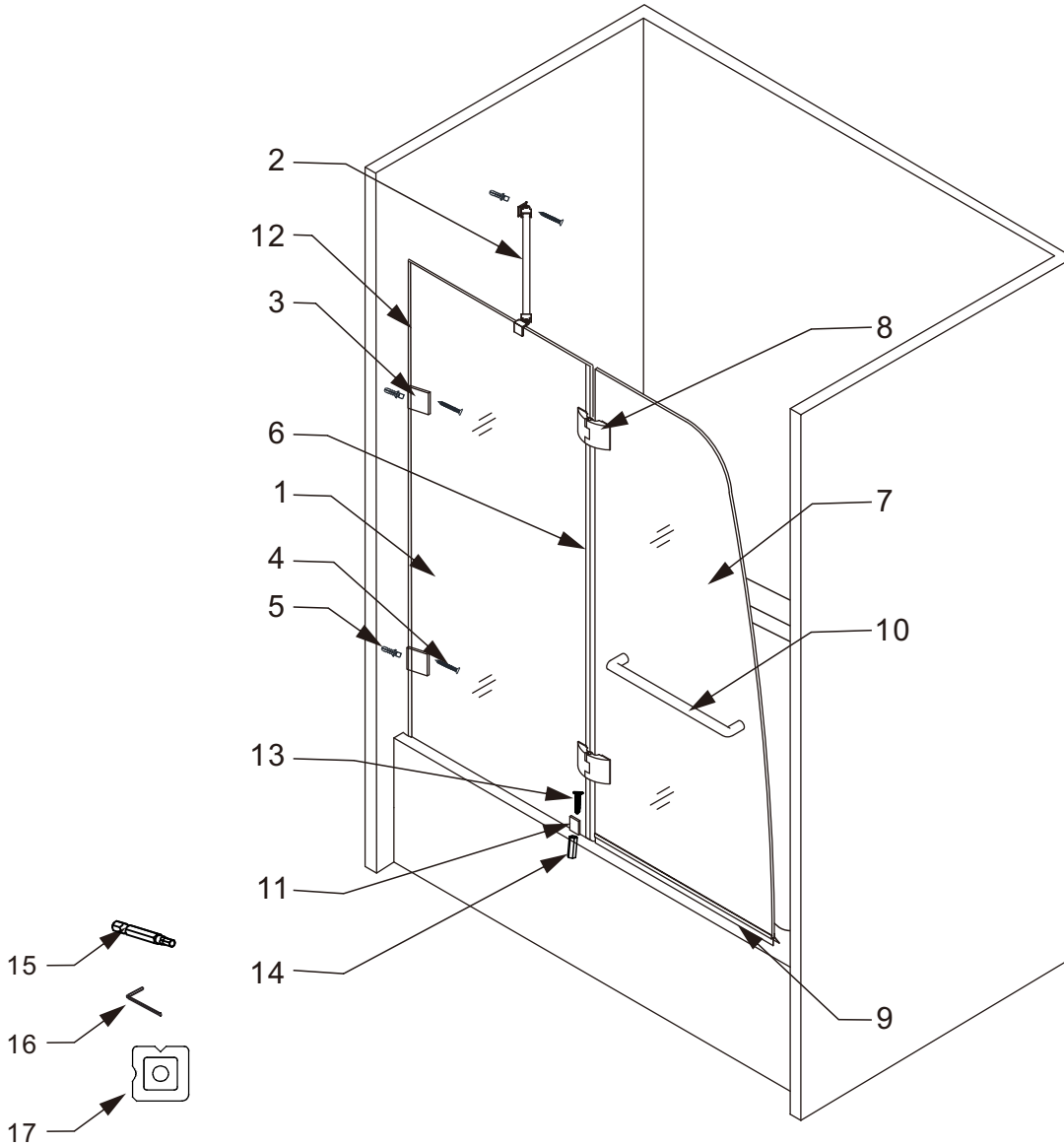
[17]x1



# WARNING

To prevent damage to glass and potential injury, make sure to follow the instructions on page 1.

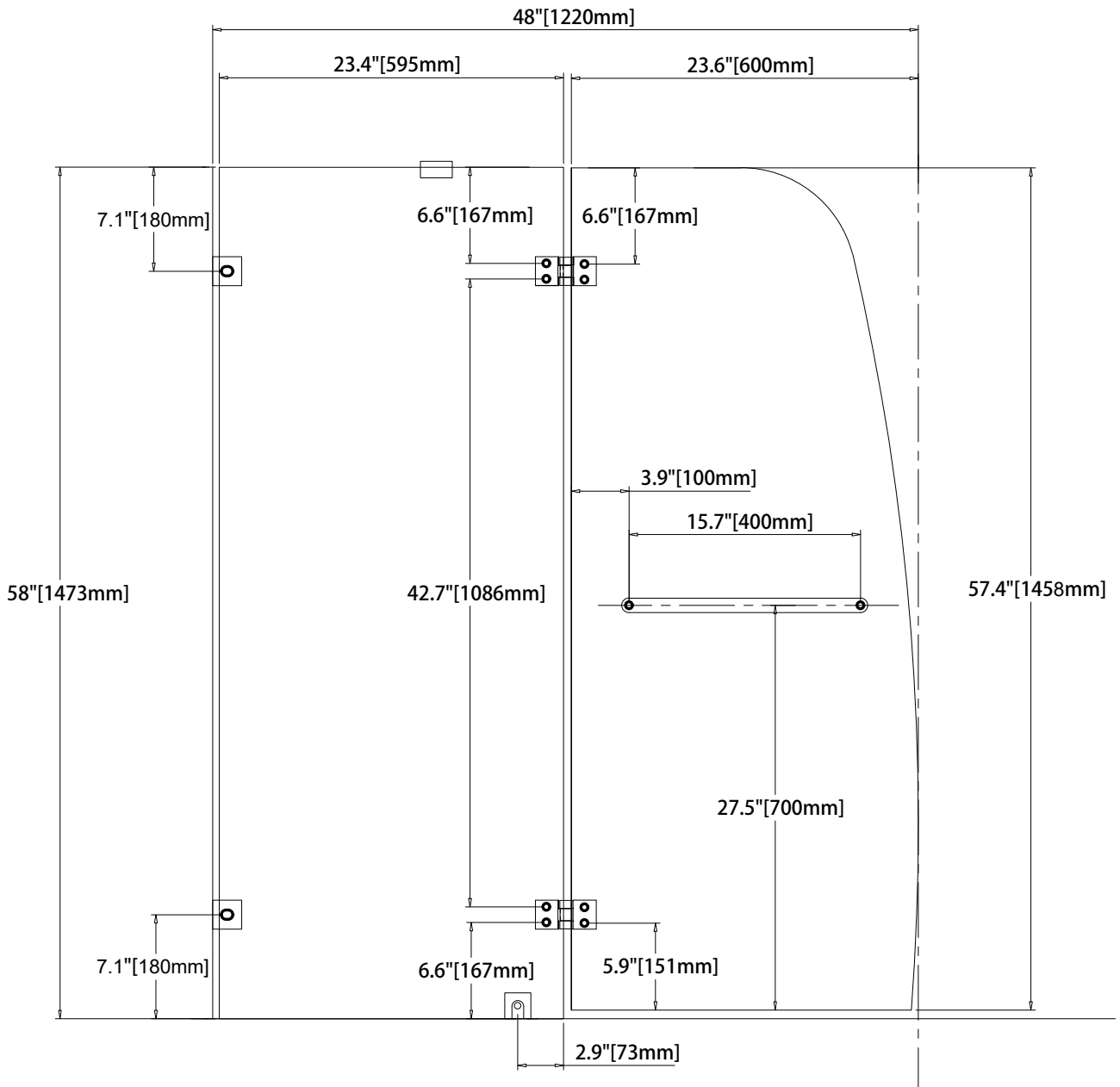
## ASSEMBLY



Part	Description	Qty.	Part	Description	Qty.
[01]	Fixed Panel	1	[12]	Bumper Strip	1
[02]	Support Bar	1	[13]	Screw ST4x20	1
[03]	Glass Support	2	[14]	Small Anchor 6x28	1
[04]	Screw ST5x40	3	[15]	Hexagonal Driver Bit	1
[05]	White Plastic Anchor 8x36	3	[16]	Allen Key	1
[06]	Hinge-Side Vinyl Seal	1	[17]	Silicone Cleaner	1
[07]	Door Panel	1			
[08]	Hinge Assembly	2			
[09]	Bottom Waterproof Strip	1			
[10]	Handle Set	1			
[11]	Fixed Panel Bottom Clip	1			

# SD-AZ11-01\*\*(SD-AZ8076-01\*\*)

## 48"x58"







## ATTENTION

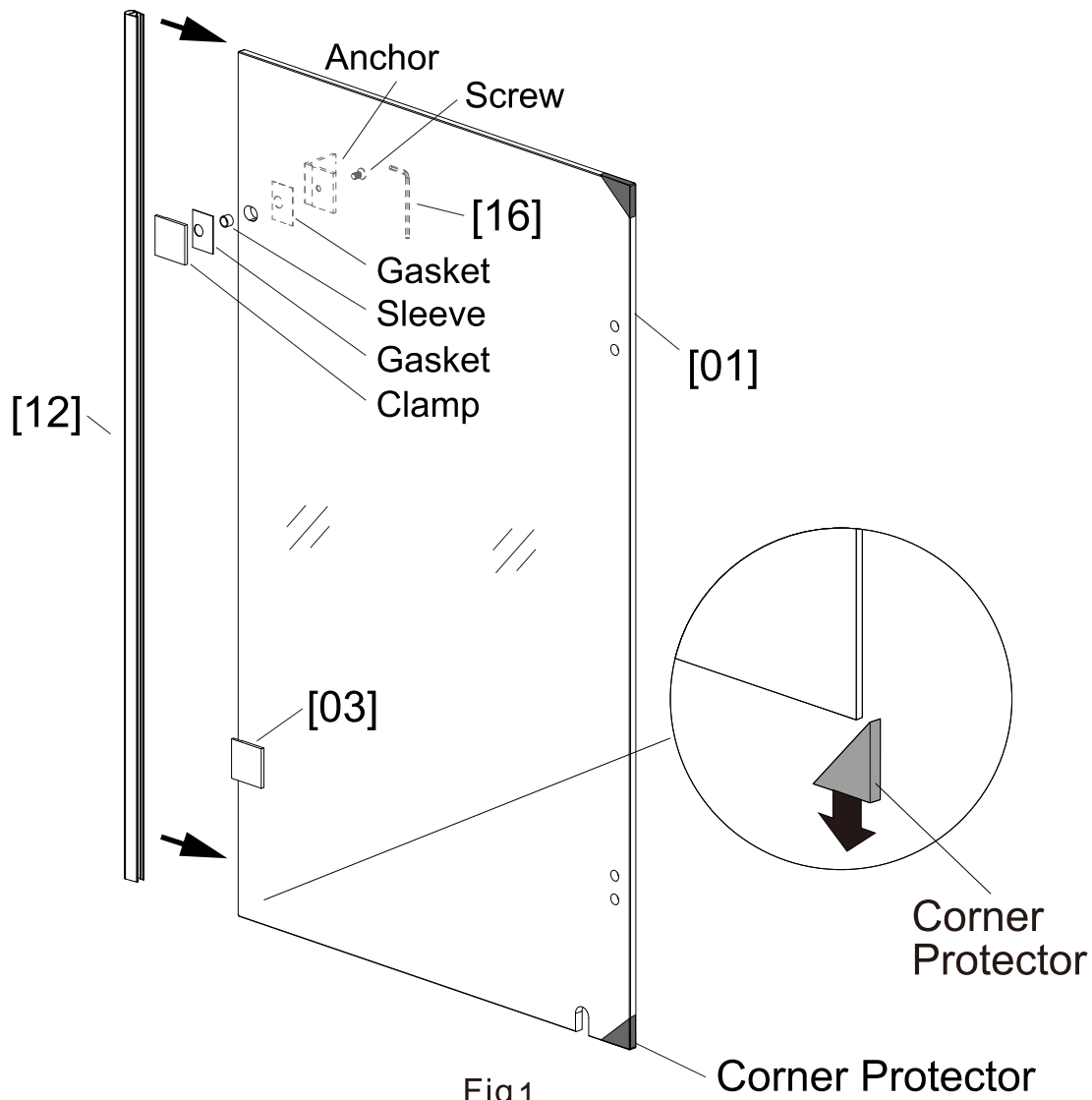
- To avoid personal injury or property damage, identify components and read all instructions before installing.
- This model requires a minimum 1" (25.4mm) of tub deck space for installation.

## INSTALLATION INSTRUCTIONS

### Step 1

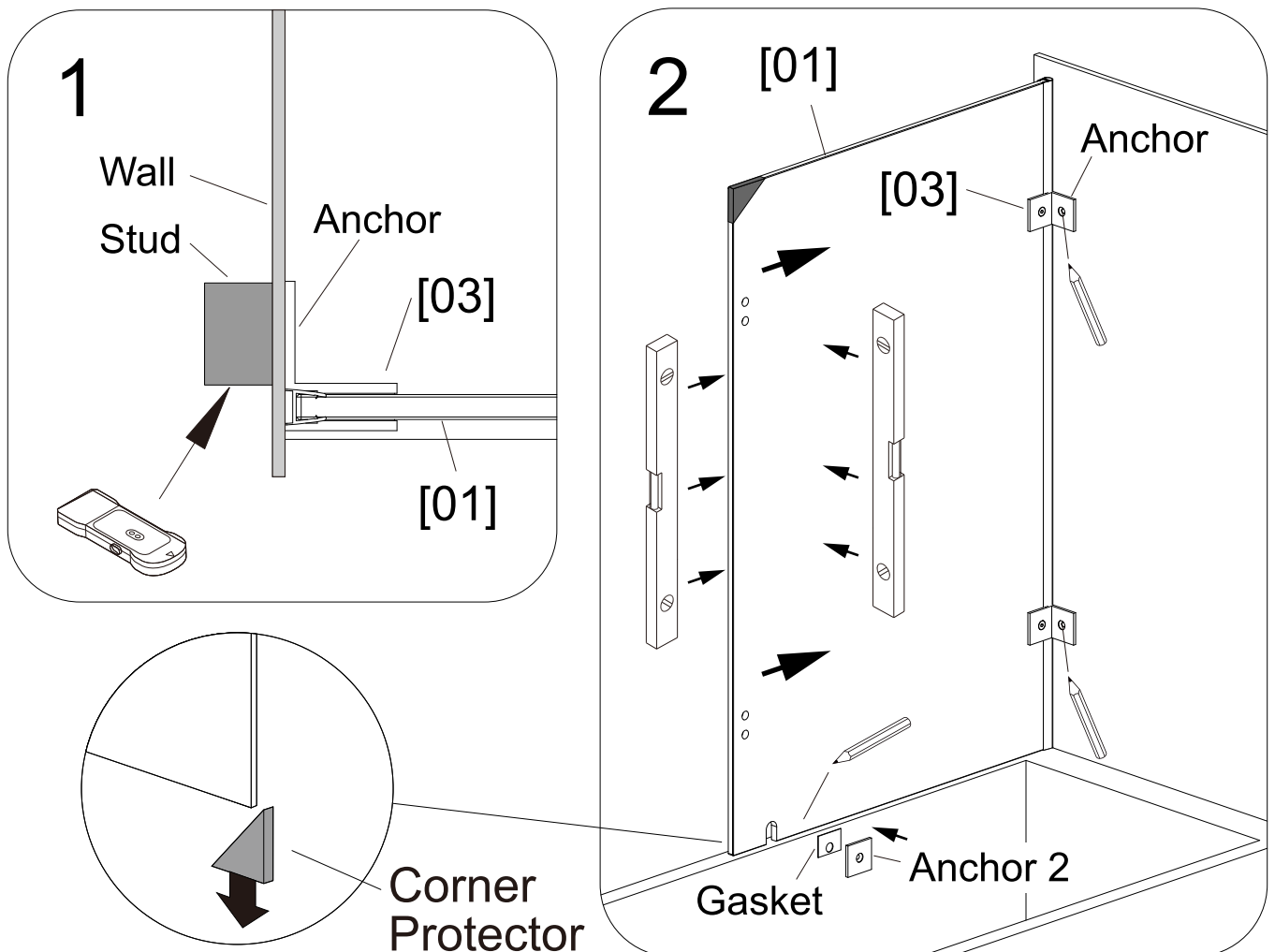
1. This manual shows left side installation. For right side installation, transpose all instructions.
2. Carefully remove the **Corner Protectors** from the side of **Fixed Panel [01]** with two holes and attach the **Bumper Strip [12]** to it.
3. Disassemble the **Glass Supports [03]** and install them to the **Fixed Panel [01]**. Install the **Clamp, Gasket and Sleeve** through the front of **Fixed Panel [01]** and another **Gasket and Anchor** through the back of it. Secure with the **Screw** but do not tighten it.

Note: Adjust the **Gaskets** so they are fully covered by the **Clamp** and the **Anchor**.



## Step 2

- This shower door must be mounted to a stud. Minimum threshold space is required. **IMPORTANT:** Using a stud finder, ensure the wall intended to hold the door has a stud at the installation point. A stud in this location must be identified to mount the support bar in order to proceed with the installation. If there is no stud in the shown area, we recommend employing a qualified contractor to install one. (Fig 2.1)
1. Carefully remove the **Corner Protector** from the bottom corner of **Fixed Panel [01]** and place **Fixed Panel [01]** on to the deck of bath tub. (Fig 2.2)  
Note: Make sure to clean the deck before placing **Fixed Panel [01]** on it.
  2. Gently push the **Fixed Panel [01]** to the wall. Use a level to make sure it's plumb and level. (Fig 2.2)
  3. Adjust and push the **Glass Supports [03]** to the wall. Use pencil to mark the screw hole location for **Anchor** on the wall. (Fig 2.2)
  4. Install the **Gasket** and **Anchor 2** of **Fixed Panel Bottom Clip [11]** to the **Fixed Panel [01]** as the figure shows. Mark the outline of the **Anchor 2** on the deck. (Fig 2.2)
  5. Remove the **Fixed Panel [01]** and install the **Corner Protector** back to the bottom corner of it. Gently place it on the floor on a cloth or blanket.



## Step 3

1. Place **Anchor 2** of **Fixed Panel Bottom Clip [11]** to the marked location and mark the screw hole on the deck. (Fig 3.1)
2. Remove **Anchor 2** and drill a **1/8"** hole at the marked location if drilling into acrylic or wood. Drill a **1/4"** hole if drilling into tile material and insert the **Small Anchor [14]**. Only use anchor with tile. (Fig 3.2, Fig 3.3)
3. Drill **5/16"** holes at the location marked on the wall and insert the **White Plastic Anchor [05]**. (Fig 3.4, Fig 3.5)
4. Place **Anchor 2** of **Fixed Panel Bottom Clip [11]** to the marked location and secure with **Screw [13]**. (Fig 3.6)
5. Carefully remove the **Corner Protector** from the bottom corner of **Fixed Panel [01]** and apply a good quality Silicone Sealant to the bottom of it. (Fig 3.7.a)
6. Apply a good quality Silicone Sealant between the **Glass Supports [03]** and the wall. Place **Fixed Panel [01]** on to the deck of bath tub with **Gasket 1** between the panel and **Anchor 2**. (Fig 3.7)  
Note: Make sure to clean the deck before placing **Fixed Panel [01]** on it.
7. Secure the **Glass Supports [03]** with **Screw [04]**. Gently push the **Fixed Panel [01]** to the wall. Use a level to make sure **Fixed Panel [01]** is plumb and level. Then attach the panel to the **Glass Supports [03]** with screws and **Allen Key [16]**. (Fig 3.7)
8. Install **Clamp, Gasket 2** and **Sleeve** at the front of **Fixed Panel [01]** and secure by tightening the **Screw**. (Fig 3.7)

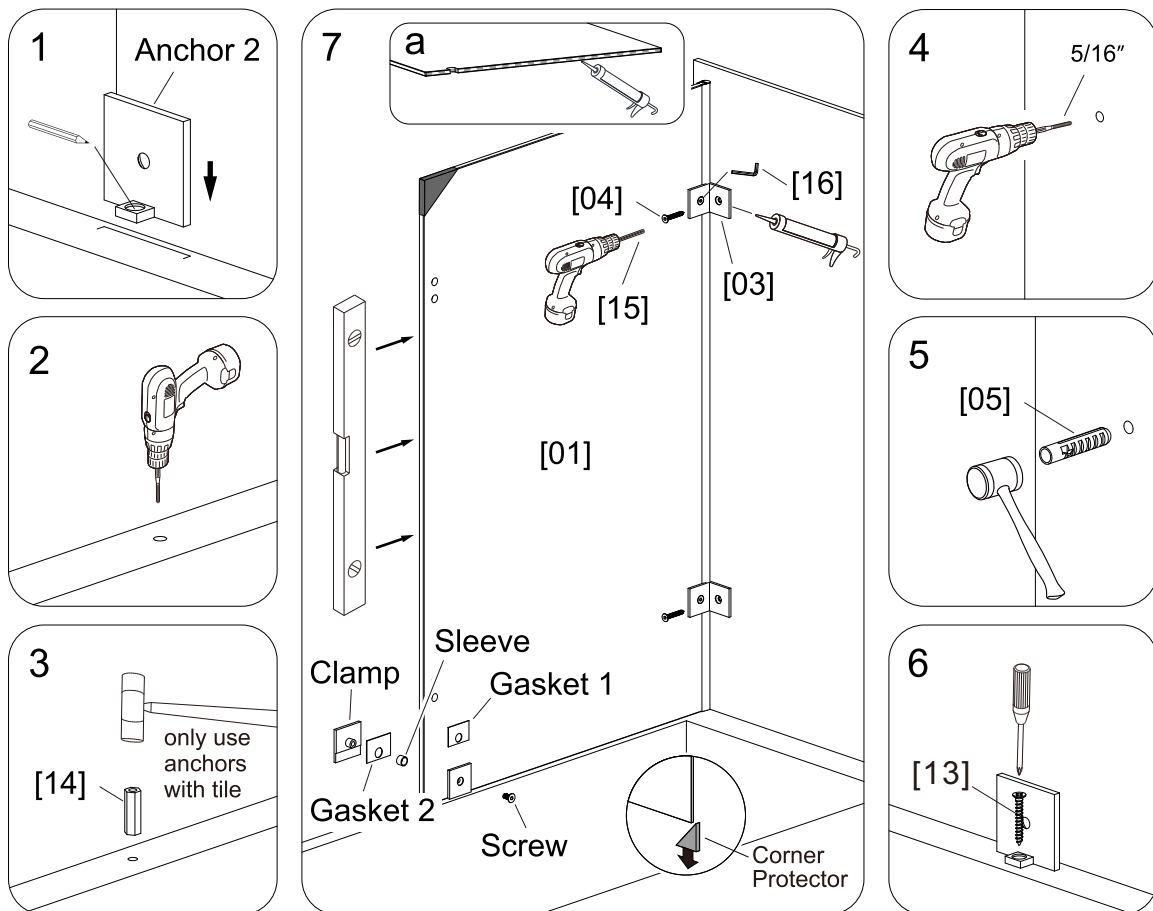
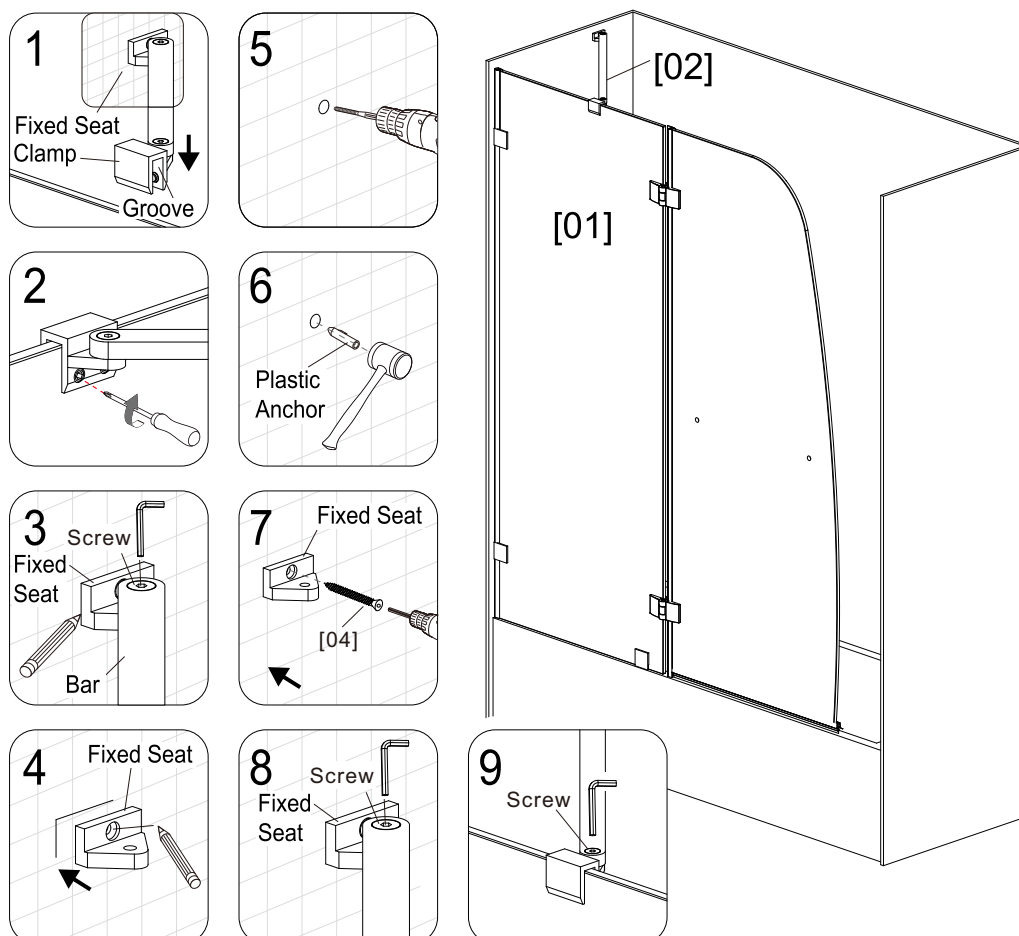


Fig 3

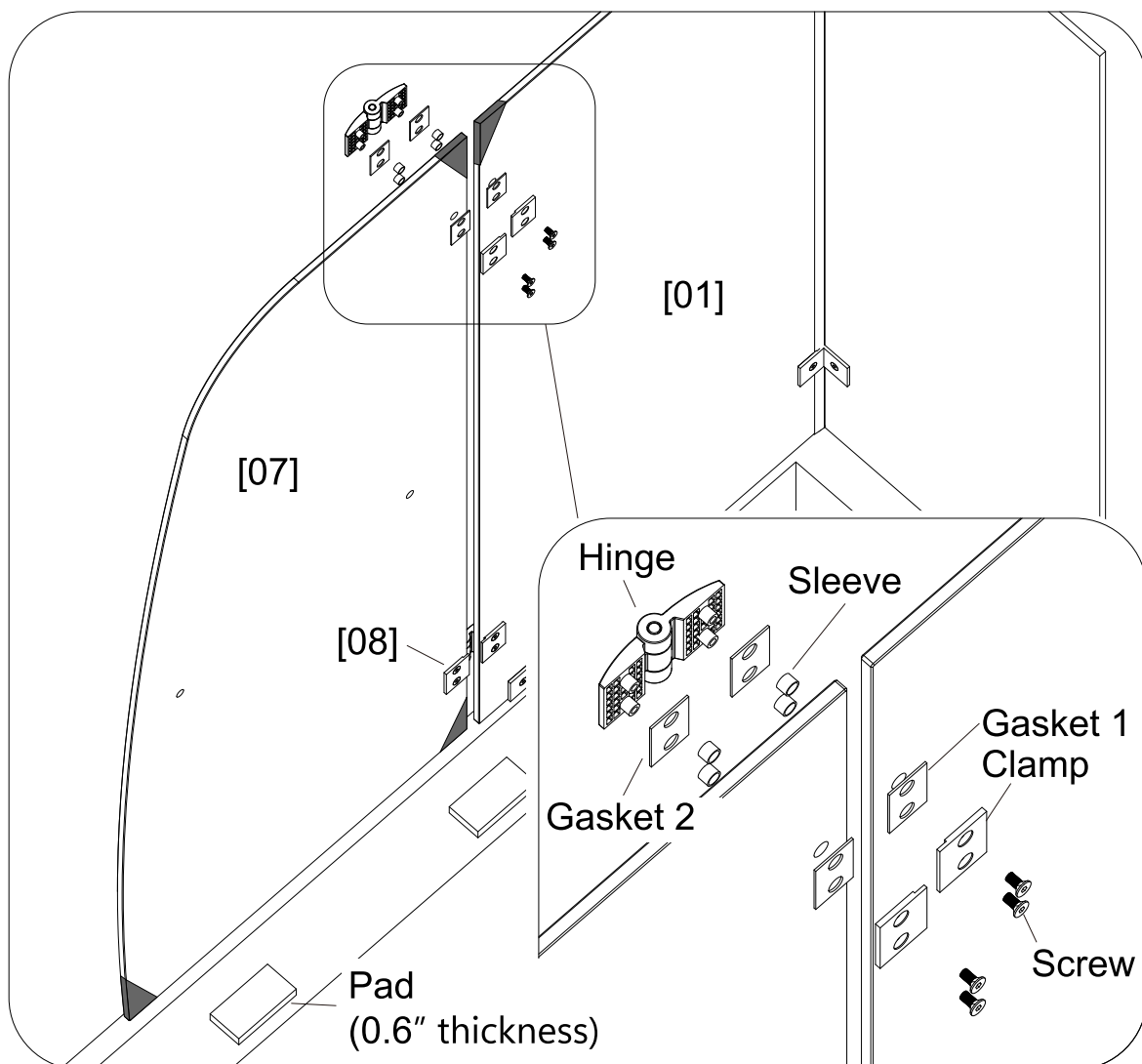
## Step 4

1. Loosen the screws at the back of the **Clamp** until it isn't protruding from the side of **groove** and push it into the **Fixed Panel [01]** until it stops. Adjust the **Support Bar [02]** until the **Fixed Seat** touches the wall surface and the angle formed by the wall and the **Support Bar [02]** is about 45°. Make sure there is a **Gasket** between the **Clamp** and **Fixed Panel [01]**. (Fig 4.1, Fig 4.2)
2. Secure the **Clamp** by tightening the **screws**. (Fig 4.2)
3. Gently push the **Fixed Seat** onto the wall and mark the outline of the **Fixed Seat** on the wall. (Fig 4.3)
4. Remove the **Screw** connecting the **Bar** and the **Fixed Seat** and move the **Bar** away. (Fig 4.3)
5. Place the **Fixed Seat** on the marked position and mark the screw hole on the wall. (Fig 4.4)
6. Move the **Fixed Seat** and drill a 5/16" hole on the marked location. (Fig 4.5)
7. Insert the **Plastic Anchor** into the wall. (Fig 4.6)
8. Secure the **Fixed Seat** with a **Screw [04]**. (Fig 4.7)
9. Secure the **Bar** to the **Fixed Seat** with the **Screw**. Tighten the **Screw** to secure. (Fig 4.8)
10. Tighten the other **Screw** of the **Support Bar [02]**. (Fig 4.9)



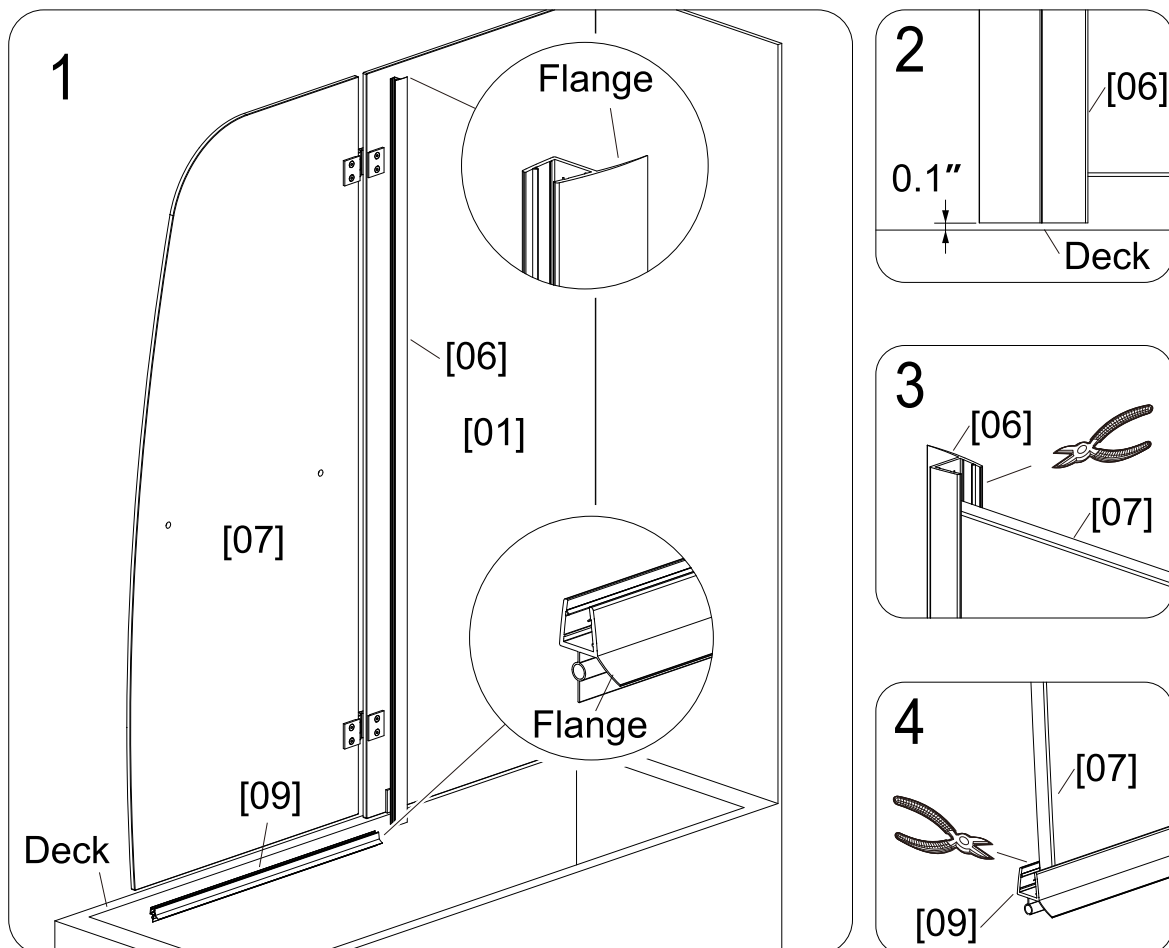
## Step 5

1. Gently place the **Door Panel [07]** on the deck with **0.6" thickness Pads**(not provided) between.
2. Remove the **Screws** of **Hinge Assembly [08]** and install to the **Fixed Panel [01]** and **Door Panel [07]** as figure shows.
3. Install the **Hinge, Gasket 2** and **Sleeve** from the outside and **Gasket 1** and **Clamp** from the inside. Secure by tightening the **Screws**.
4. Remove the **Pads** and gently open and close the **Door Panel [07]** to make sure it moves smoothly.



## Step 6

1. Carefully remove the **Corner Protectors** from the **Door Panel [07]** and attach the **Hinge-Side Vinyl Seal [06]** to the side of it. (Fig 6.1)
2. Make sure the **Hinge-Side Vinyl Seal [06]** is **0.1"** above the **Deck** and the **Flange** of the **Hinge-Side Vinyl Seal [06]** is behind the **Fixed Panel [01]**. (Fig 6.1, Fig 6.2)
3. If the **Hinge-Side Vinyl Seal [06]** is longer than the **Door Panel [07]** after installation, cut it to correct length. (Fig 6.3)
4. Attach the **Bottom Water Proof Strip [09]** to the bottom of **Door Panel [07]** close to the **Hinge-Side Vinyl Seal [06]**. The **Flange** of the **Bottom Water Proof Strip [09]** faces inside. (Fig 6.1)
5. If the **Bottom Water Proof Strip [09]** is longer than the **Door Panel [07]** after installation, cut it to correct length. (Fig 6.4)



## Step 7

1. Disassemble the **Handle Set [10]** and install to the **Door Panel [07]**. Install **Handle**, **Flange** and **Gasket 1** through the front of **Door Panel [07]**. Install **Gasket 2**, **Knob** and **Lever** through the back of **Door Panel [07]**. (Fig 7.1, Fig 7.2)

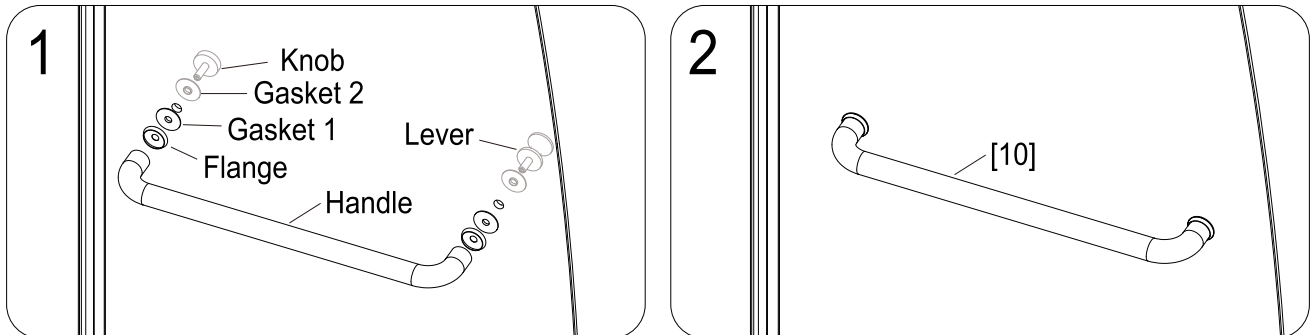


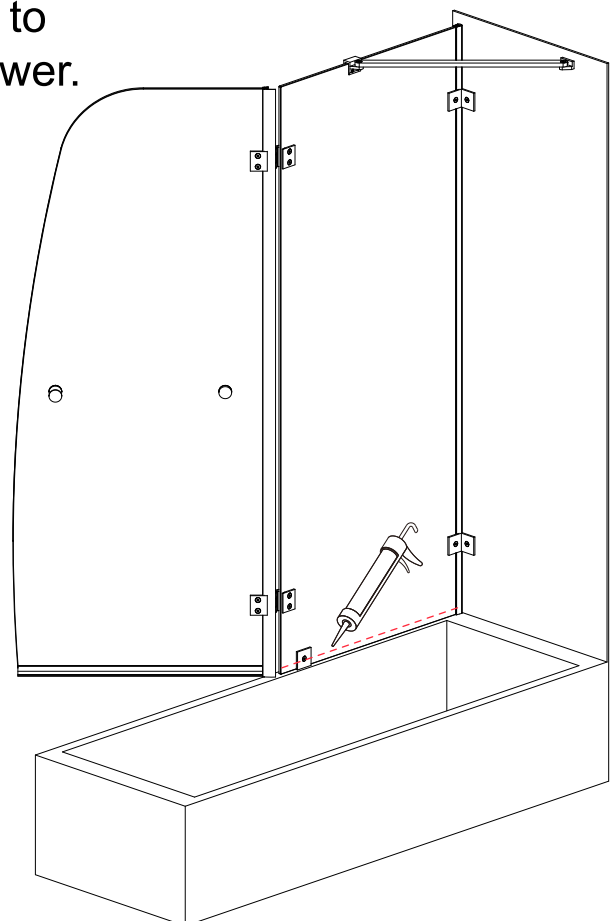
Fig7

## Step 8

- Apply a good quality Silicone Sealant at the inner corner formed by the **Deck** and **Fixed Panel [01]**.



Allow 24 hours for the silicone to fully cure before using the shower.



## Care & Maintenance

**TUBS and BACK WALLS:** Wipe them off after each use with a soft cloth. To clean the acrylic surface, use non-abrasive sprays or cream based cleaners. Avoid the use of aerosol spray cleaners. Never use abrasive cleansers, metal brushes, or scrapers, as they can scratch or dull the surface.

**GLASS:** Wipe off the glass after each use with either a soft cloth or a squeegee to prevent soap buildup and water spots (hard water can etch the surface of the glass over time if left to dry). To avoid damaging the surface, never use abrasive cleaners or cleaning products that contain scouring agents. Likewise, never use bristle brushes or abrasive sponges that can scratch the surface.

**HARDWARE:** To ensure a long-lasting finish, wipe off the metal parts with a soft cloth after using. Do not use abrasive cleaners or cleaning products containing ammonia, bleach, or acid. If accidentally used, rinse the surface as soon as possible to prevent damage to the finish (peeling or corrosion). After cleaning the polished finishes, rinse thoroughly and wipe dry with a soft cloth. Clean stainless steel surfaces at least once a week. When applying stainless steel cleaner or polish to stainless steel hardware, work with (not across) the grain. Never use an abrasive sponge or cloth, steel wool, or wire brush, which may permanently scratch the surfaces.

**NOTE:** Regularly inspect the glass and all hardware for misalignment, proper attachment, and damage. Contact ANZZI with any questions or concerns.

