

INSTRUCTION MANUAL

MANUEL D'INSTRUCTIONS MANUAL DE INSTRUCCIONES



UNDERMOUNT SINKS UNDERMOUNT SINKS UNDERMOUNT SINKS

HELPFUL TOOLS

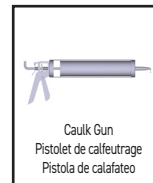
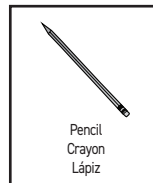
For safety and ease of installation, the use of these helpful tools is recommended.

OUTILS UTILES

Pour des raisons de sécurité et de facilité d'installation, l'utilisation de ces outils utiles est recommandée.

HERRAMIENTAS ÚTILES

Por seguridad y facilidad de instalación, se recomienda el uso de estas útiles herramientas.



For warranty or additional information, contact:

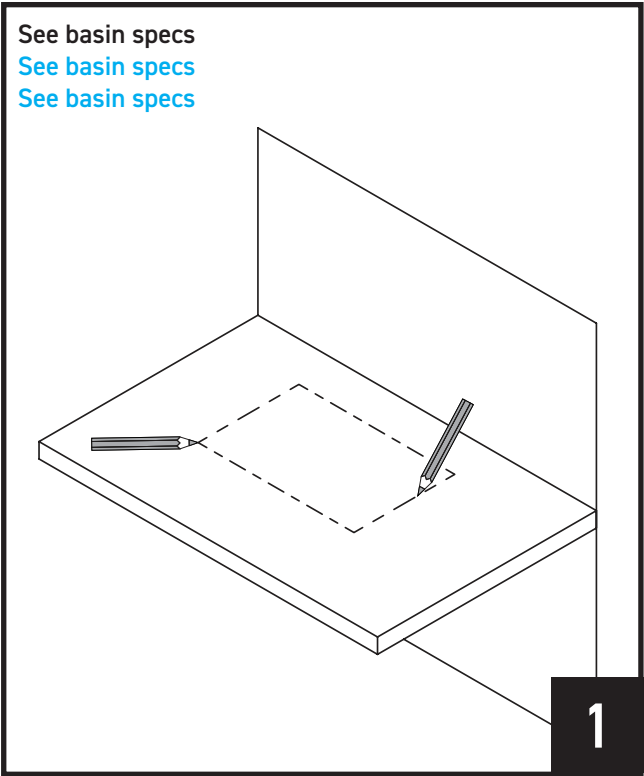
US Customers

U.S.A.
houseofrohl.com/support
1-800-777-9762

QUEBEC / MARITIMES / WESTERN CANADA
QUÉBEC / MARITIMES / OUEST CANADIEN
QUEBEC / MARITIMOS / CANADA OCCIDENTAL
houseofrohl.ca/support
1-866-473-8442

Canadian Customers

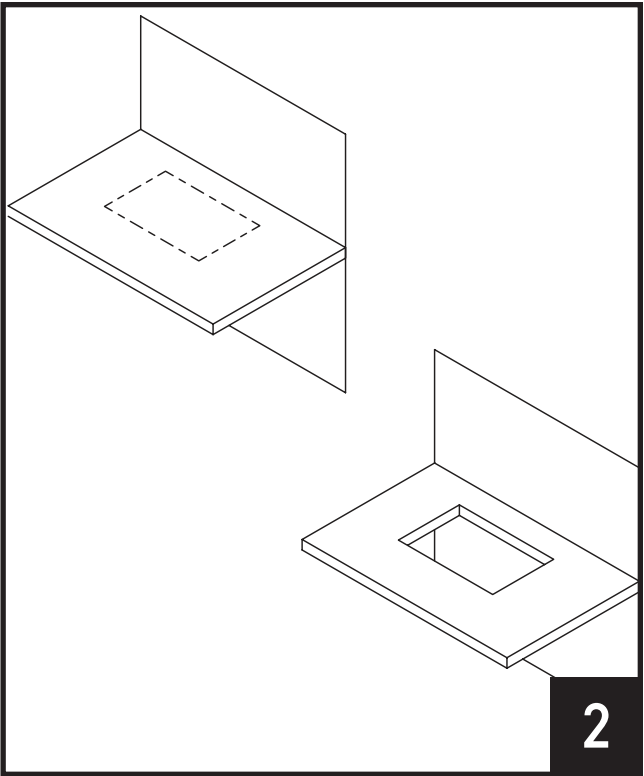
ONTARIO
houseofrohl.ca/support
1-800-287-5354



Based on your model, review the product spec sheet and determine the area needed for the sink.

Based on your model, review the product spec sheet and determine the area needed for the sink.

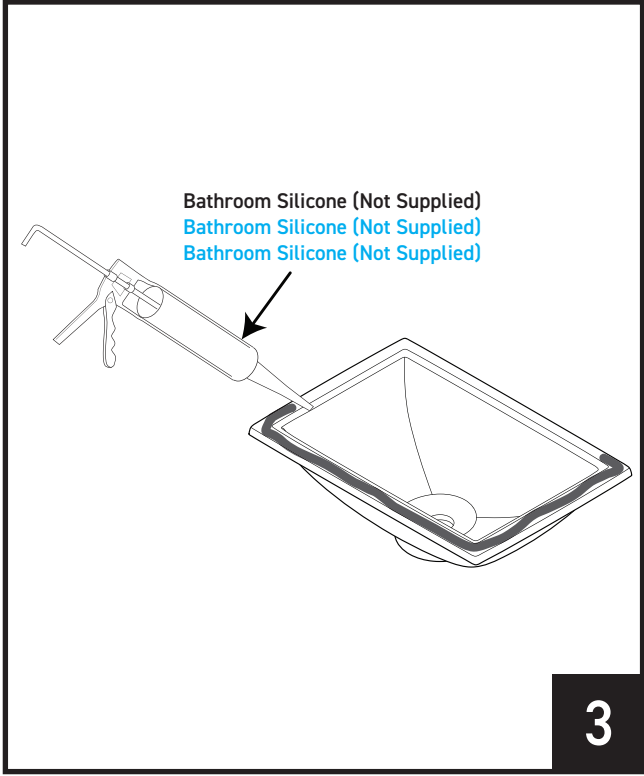
Based on your model, review the product spec sheet and determine the area needed for the sink.



Cut out the area traced based on the area needed for the sink to fit.

Cut out the area traced based on the area needed for the sink to fit.

Cut out the area traced based on the area needed for the sink to fit.

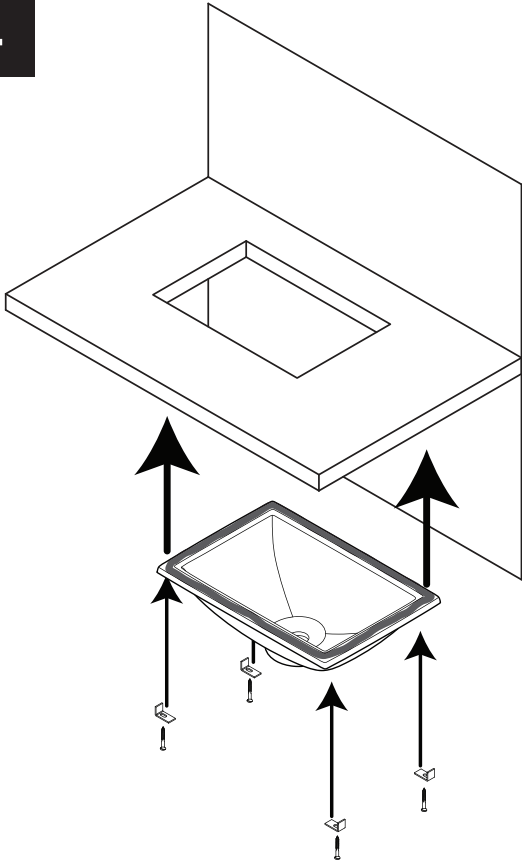


Using a Caulk gun, apply sealant to the sink.

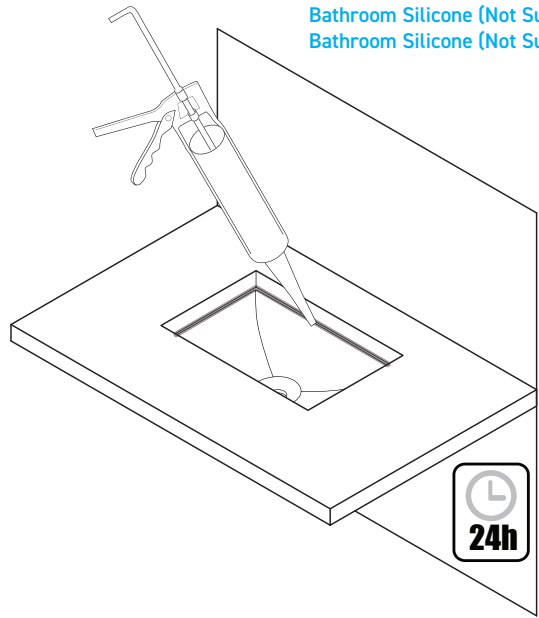
Using a Caulk gun, apply sealant to the sink.

Using a Caulk gun, apply sealant to the sink.

4



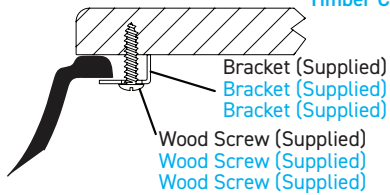
Bathroom Silicone (Not Supplied)
 Bathroom Silicone (Not Supplied)
 Bathroom Silicone (Not Supplied)



5

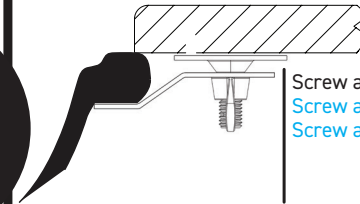
Wait 24 hours for the sealant to dry before use.
 Wait 24 hours for the sealant to dry before use.
 Wait 24 hours for the sealant to dry before use.

Timber Counter Installation
 Timber Counter Installation
 Timber Counter Installation



Bracket (Supplied)
 Bracket (Supplied)
 Bracket (Supplied)
 Wood Screw (Supplied)
 Wood Screw (Supplied)
 Wood Screw (Supplied)

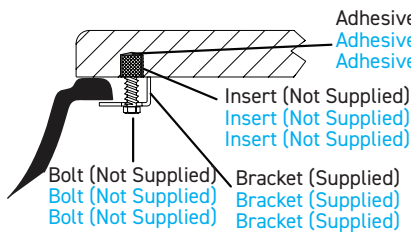
Timber Counter Installation
 Timber Counter Installation
 Timber Counter Installation



Screw and Wing Nut (Supplied)
 Screw and Wing Nut (Supplied)
 Screw and Wing Nut (Supplied)

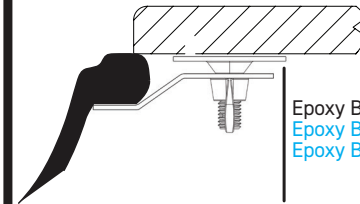
OR
OU
O

Stone/Marble etc. Installation
 Stone/Marble etc. Installation
 Stone/Marble etc. Installation



Adhesive (Not Supplied)
 Adhesive (Not Supplied)
 Adhesive (Not Supplied)
 Insert (Not Supplied)
 Insert (Not Supplied)
 Insert (Not Supplied)
 Bolt (Not Supplied)
 Bolt (Not Supplied)
 Bolt (Not Supplied)
 Bracket (Supplied)
 Bracket (Supplied)
 Bracket (Supplied)

Stone/Marble etc. Installation
 Stone/Marble etc. Installation
 Stone/Marble etc. Installation



Epoxy Basin Adhesive (Not Supplied)
 Epoxy Basin Adhesive (Not Supplied)
 Epoxy Basin Adhesive (Not Supplied)

Once the sealant is applied, lift the sink up and press firmly on the underside to ensure there is a tight seal between the sink and counter. Based on the counter material, ensure you use the appropriate hardware as shown above to mount the sink in place.

Once the sealant is applied, lift the sink up and press firmly on the underside to ensure there is a tight seal between the sink and counter. Based on the counter material, ensure you use the appropriate hardware as shown above to mount the sink in place.

Once the sealant is applied, lift the sink up and press firmly on the underside to ensure there is a tight seal between the sink and counter. Based on the counter material, ensure you use the appropriate hardware as shown above to mount the sink in place.

CLEANING AND CARE

To be removed for use by the homeowner / occupant

Receiving and Installing Goods

The fitting of the bath feet or installation of the entire product will be seen as acceptance of quality. We strongly recommend that you use a suitable qualified installer. Instructions must be adhered to. We cannot accept responsibility for incorrect installation.

Please note that shrinkage lines, air holes, casting marks and blemishes on the underside of the product (where they cannot be seen when turned upright) do not adversely affect performance or aesthetics and are not regarded as defects.

Should you wish to paint or customise the outside of your bath/vessel basin, please follow the below instructions.

Day to Day Use

Please note that while our material has excellent stain resistance, we recommend that bath water containing additives such as oils and bath salts are always drained and rinsed off with clean water immediately after use.

Cleaning

We recommend soap with plenty of warm water. All cleaners should be fully rinsed off afterwards with clean water. For any stubborn staining, we recommend the use of our polishing kit which is available from customer services.

Repair and Maintenance

Light scratches that cannot be felt with a finger nail may be removed by polishing with a fine cut automotive compound. If they still remain, try rubbing with a fine (2000 grit) waterproof abrasive paper on a sanding block with water. Re-polish the surface afterwards using a fine cut automotive rubbing compound - available from reputable auto supply or professional auto paint supply stores.

Deep scratches that can be felt with a finger nail will require a more specific repair and we recommend you contact customer services to be talked through the steps.

Painting

Having a smooth exterior surface, baths, vessel basins and feet can be decorated using oil or water based paints. First, rub down the surface with a fine abrasive paper to get a "key" for the paint to stick to. Wipe down thoroughly to remove any dust before applying paint. If applicable, use a pencil to mark the outline of the feet on the bath. **IMPORTANT:** Do not paint more than 1/4" (5mm) over this line as it could result in poor adhesion and possible failure.

Following the paint manufacturer's instructions, apply the paint. We recommend two top coats and doubling the waiting period between coats. Use a small roller or brush applying the paint in a random fashion to avoid paint lines. If you wish to paint the feet, follow the above procedure using a small brush or spray paint instead of a roller. **IMPORTANT:** Do not paint the inside of the feet as it could result in poor adhesion of the feet and possible failure.

CLEANING AND CARE

To be removed for use by the homeowner / occupant

Receiving and Installing Goods

The fitting of the bath feet or installation of the entire product will be seen as acceptance of quality. We strongly recommend that you use a suitable qualified installer. Instructions must be adhered to. We cannot accept responsibility for incorrect installation.

Please note that shrinkage lines, air holes, casting marks and blemishes on the underside of the product (where they cannot be seen when turned upright) do not adversely affect performance or aesthetics and are not regarded as defects.

Should you wish to paint or customise the outside of your bath/vessel basin, please follow the below instructions.

Day to Day Use

Please note that while our material has excellent stain resistance, we recommend that bath water containing additives such as oils and bath salts are always drained and rinsed off with clean water immediately after use.

Cleaning

We recommend soap with plenty of warm water. All cleaners should be fully rinsed off afterwards with clean water. For any stubborn staining, we recommend the use of our polishing kit which is available from customer services.

Repair and Maintenance

Light scratches that cannot be felt with a finger nail may be removed by polishing with a fine cut automotive compound. If they still remain, try rubbing with a fine (2000 grit) waterproof abrasive paper on a sanding block with water. Re-polish the surface afterwards using a fine cut automotive rubbing compound - available from reputable auto supply or professional auto paint supply stores.

Deep scratches that can be felt with a finger nail will require a more specific repair and we recommend you contact customer services to be talked through the steps.

Painting

Having a smooth exterior surface, baths, vessel basins and feet can be decorated using oil or water based paints. First, rub down the surface with a fine abrasive paper to get a "key" for the paint to stick to. Wipe down thoroughly to remove any dust before applying paint. If applicable, use a pencil to mark the outline of the feet on the bath. **IMPORTANT:** Do not paint more than 1/4" (5mm) over this line as it could result in poor adhesion and possible failure.

Following the paint manufacturer's instructions, apply the paint. We recommend two top coats and doubling the waiting period between coats. Use a small roller or brush applying the paint in a random fashion to avoid paint lines. If you wish to paint the feet, follow the above procedure using a small brush or spray paint instead of a roller. **IMPORTANT:** Do not paint the inside of the feet as it could result in poor adhesion of the feet and possible failure.

For warranty or additional information, contact:

US Customers

U.S.A.
houseofrohl.com/support
1-800-777-9762

Canadian Customers

QUEBEC / MARITIMES / WESTERN CANADA
QUÉBEC / MARITIMES / OUEST CANADIEN
QUEBEC / MARITIMOS / CANADA OCCIDENTAL
houseofrohl.ca/support
1-866-473-8442

ONTARIO
houseofrohl.ca/support
1-800-287-5354

Riobel

PERRIN & ROWE®
LONDON



victoria ⊕ albert®

ROHL