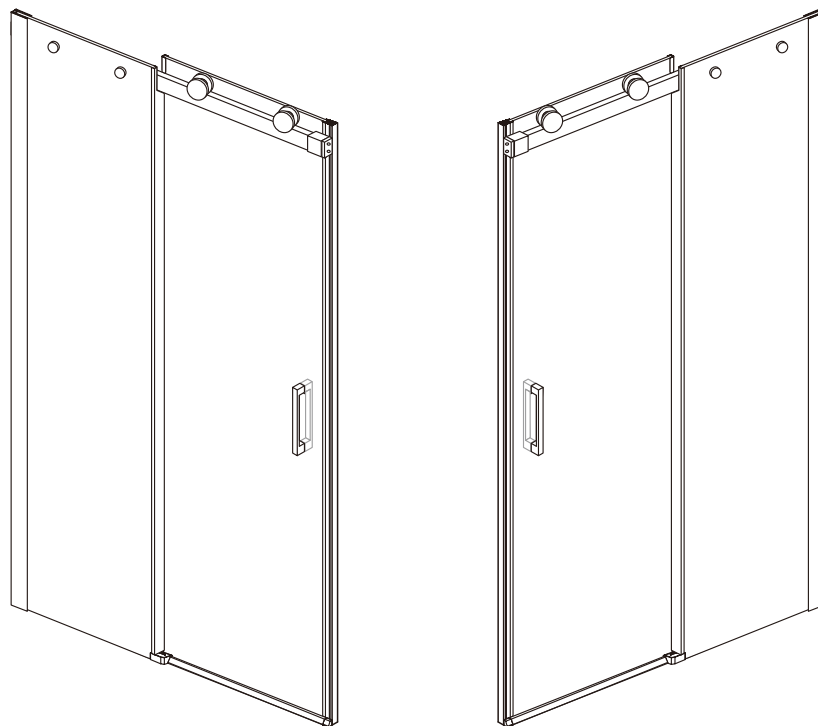




ANZZI®

Item: SD-FRLS05701\*\*  
SD-FRLS05702\*\*

ANZZI GLASS SHOWER DOOR  
INSTALLATION & OPERATION MANUAL  
V2.3



# DON'T WAIT! REGISTER NOW!

Register your product within 90 days to ensure your product is recognized as an official purchase and is eligible for warranty coverage.

Mail in the completed registry card (Pg. 2) or register online at [www.swcorp.com/register](http://www.swcorp.com/register).



# PRODUCT REGISTRATION\*

**IMPORTANT: YOUR WARRANTY WILL NOT BE RECOGNIZED UNLESS THIS CARD IS FULLY COMPLETED AND RETURNED OR ONLINE REGISTRATION IS COMPLETED.**

To ensure that your warranty is registered and confirmed please do one of the following:

1. Register online at [www.swcorp.com/register](http://www.swcorp.com/register). You will be asked to fill out the same information you would in the registration card. Registering online is fast, secure and ensures we receive your information.
2. Complete, cut out and mail the registration card below. By returning this registration card we confirm the date of purchase for your new product. This confirmation will allow us to process any warranty claims.

**Mail the card to: 5701 NW 35 Avenue, Miami, FL 33142**



### Product Registration Card

Name..... Address .....

City..... State..... Zip.....

Phone ..... Email.....

Date of Purchase ..... Order or Purchase # ..... SKU or Model # .....

Installer's Name ..... Phone .....

I have read the Owner's Manual carefully and understand and agree that any installation, operation or maintenance of the product must be done strictly in accordance with instructions and guidelines contained in the owner's manual and installation guide.

Signature..... Date.....

**Need help? For technical support call 305-614-4070 or visit us at [www.ANZZI.com](http://www.ANZZI.com)**

# INSTALLATION GUIDE

## BEFORE YOU BEGIN

- Please check the product for damage and missing parts immediately upon delivery. Damage reported later will not be covered by our warranty. Please handle the product with care. Avoid any impact to the sides and edges of the glass.
- Consult your local building codes before installation.
- To reduce the risk of breakage, keep corner protectors on the glass while installing.
- If this unit is being installed in new construction, please install all required plumbing and drainage before installing the shower. Use a licensed plumber/contractor (if required by local code) for all plumbing installations.
- Before beginning installation, make sure all surfaces are level, solid and will support the total weight of the unit. Also, make sure the walls are at right angles. Irregular installation surface level, radius corners, or improper angle of side walls will result in serious problems for your installation. Please note that some adjustments and drilling might be necessary during the installation process.
- Please protect all primary surfaces of the product during installation. Never set your glass down directly onto a tile floor. Leave corner protectors in place until necessary to remove them. Always use wood or cardboard to protect the bottom edge and corners of the glass before and during installation.



## WARNING

- This unit must be installed upon a finished threshold and against finished walls.
- Take care to avoid hidden pipes or electrical cables when drilling holes in walls.
- This product is heavy and may require two people to install it.
- When cutting or drilling metal components or handling glass, wear protective eye wear, gloves, and closed-toe shoes to reduce the risk of personal injury.
- Failure to follow instructions when installing this product may result in personal injury, property damage, or product failure and may void the warranty.

# INSTALLATION GUIDE

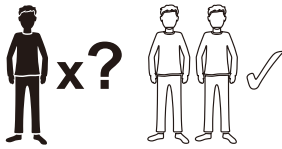
## BEFORE YOU BEGIN



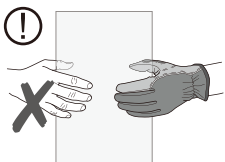
### ATTENTION

- Threshold must be level for proper installation.
- The installation of this unit requires that you drill down into the threshold. Contact the manufacturer of the base or threshold material with any questions regarding the drilling of holes into their product.
- This model requires a minimum 2-3/16" (55mm) of flat level threshold space for installation.

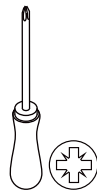
### Tools Required



- This product is heavy and may require two people to install.



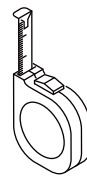
- Use cut-resistant, non-slip gloves to reduce the risk of personal injury and to hold the glass firmly.



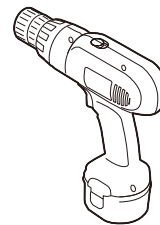
Phillips  
Screwdriver



Level



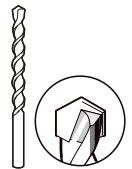
Tape  
Measure



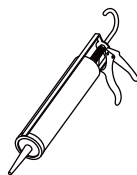
Drill



1/8"  
(3mm)  
Drill Bit



1/4"  
(6mm)  
Drill Bit



100%  
Silicone  
Sealant



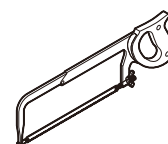
Pencil



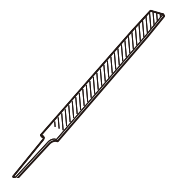
Rubber  
Mallet



Safety  
Glasses



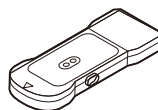
Hack  
Saw



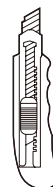
Metal File



Tin Snips



Stud Finder



Knife

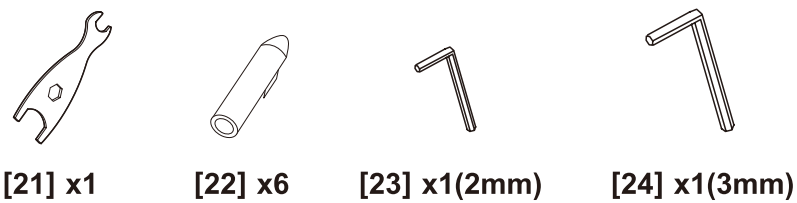
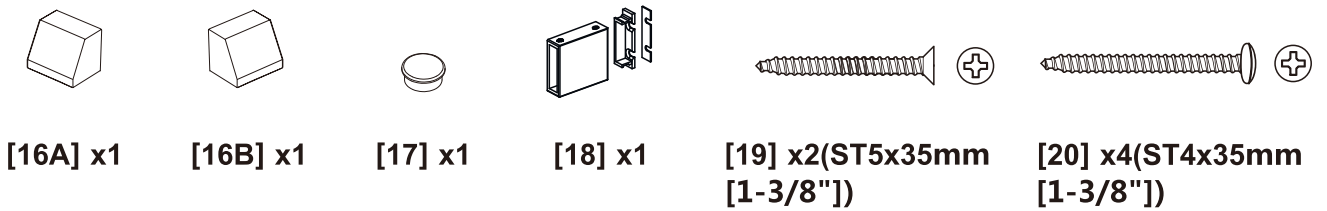
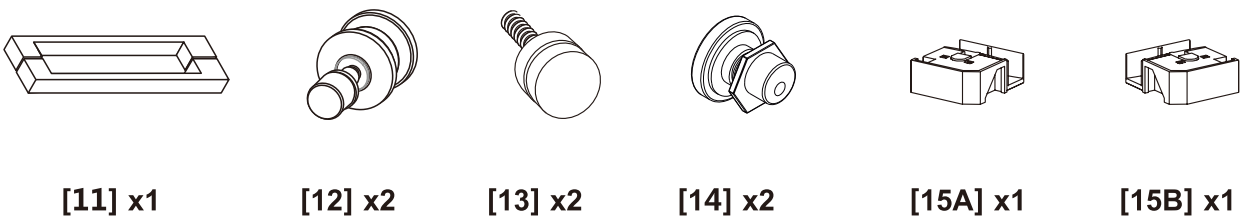
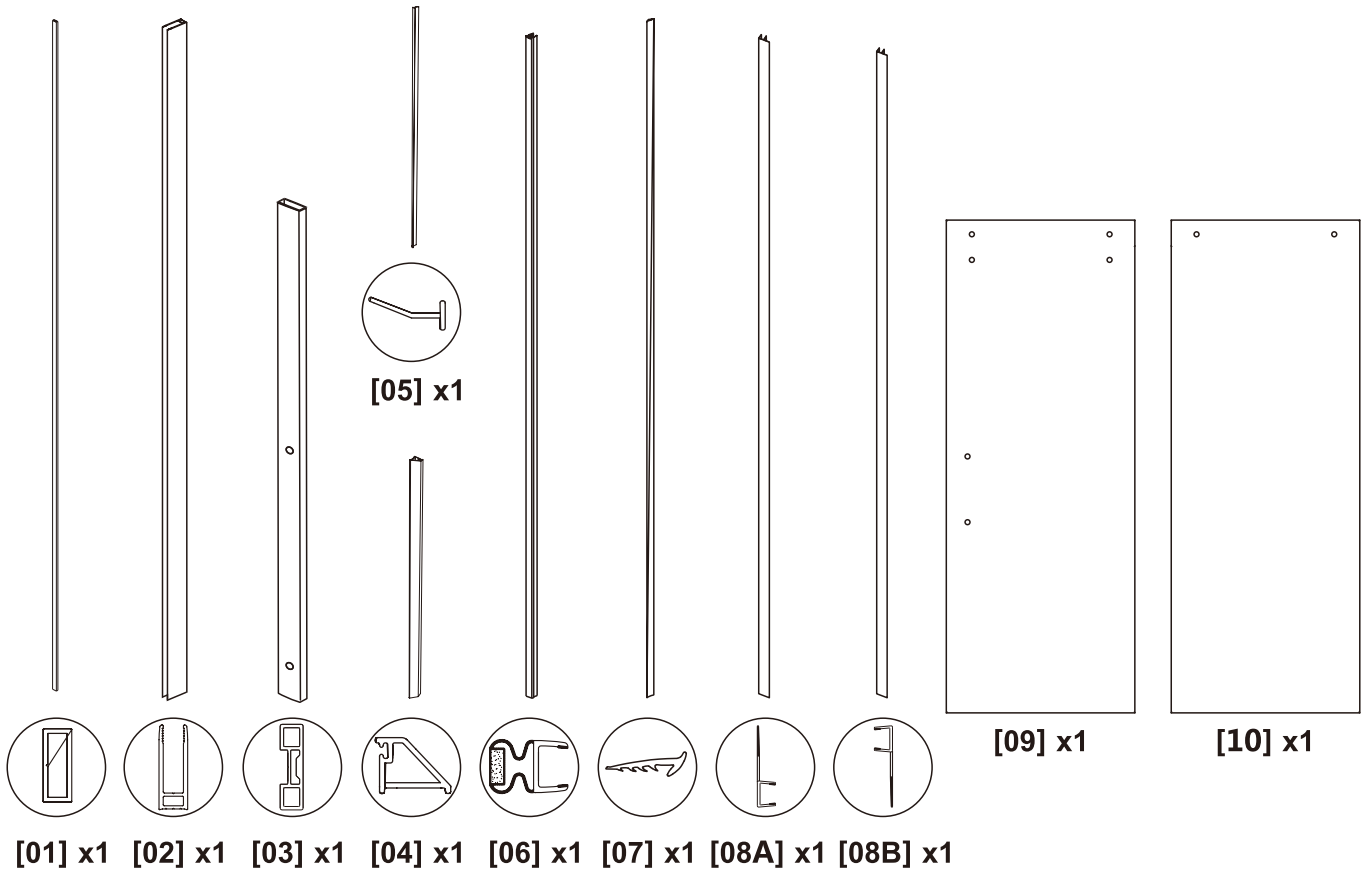


**This product is heavy and may require two people to install.**

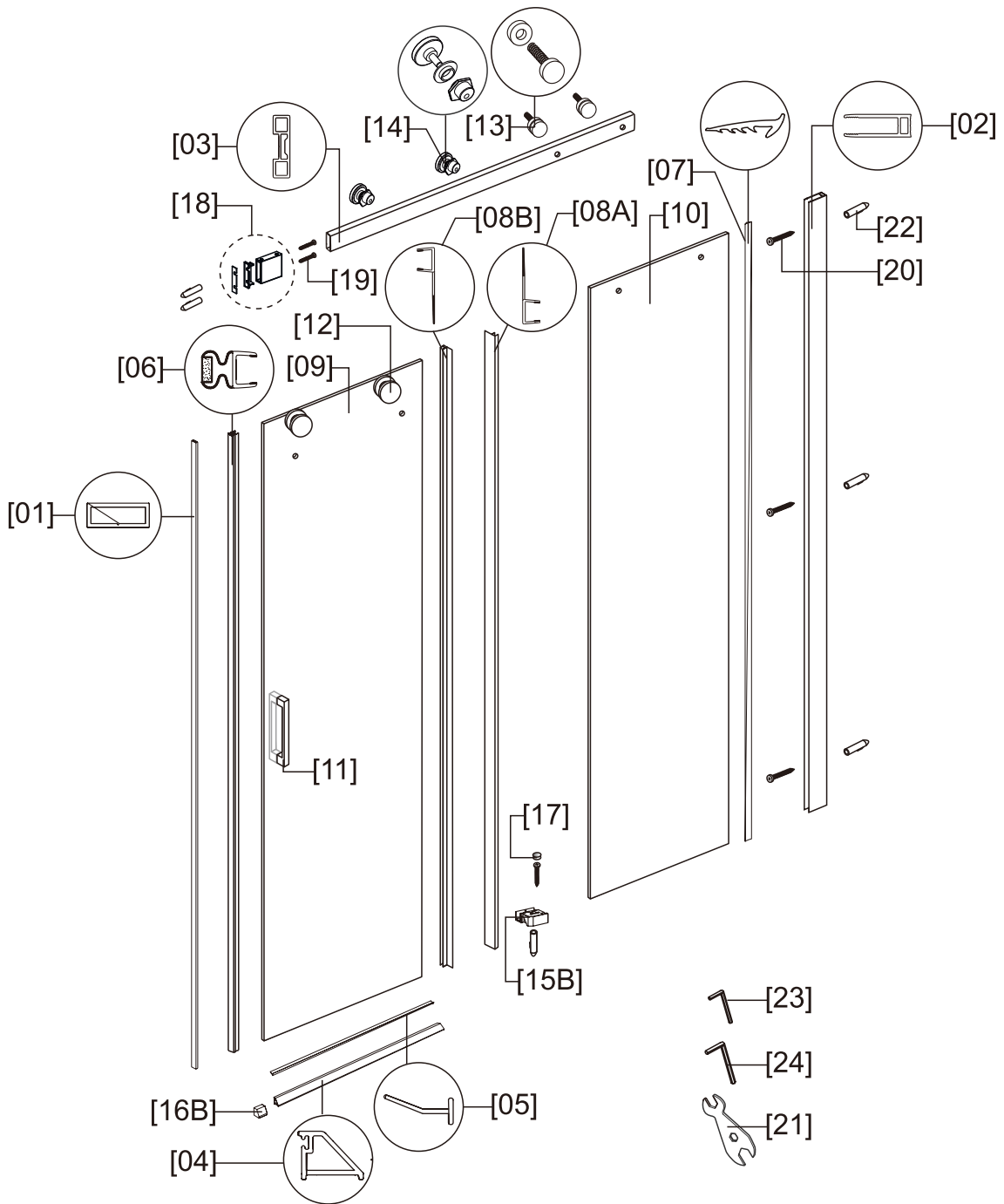




# PARTS

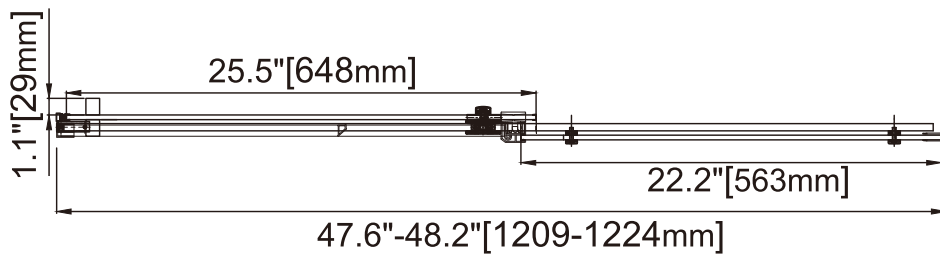
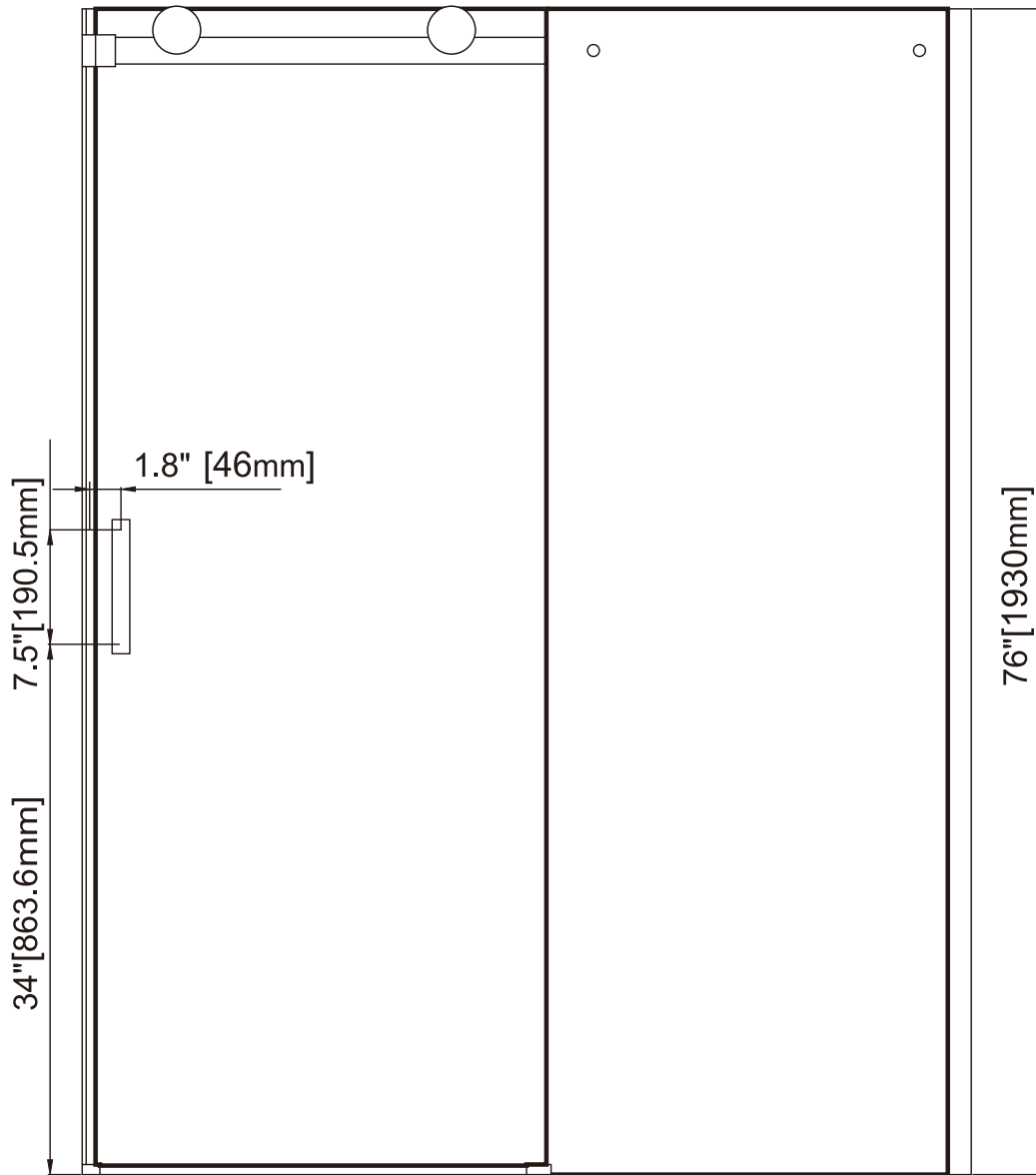


# ASSEMBLY

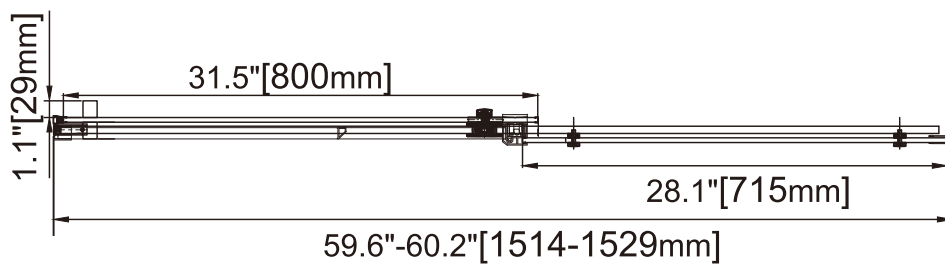
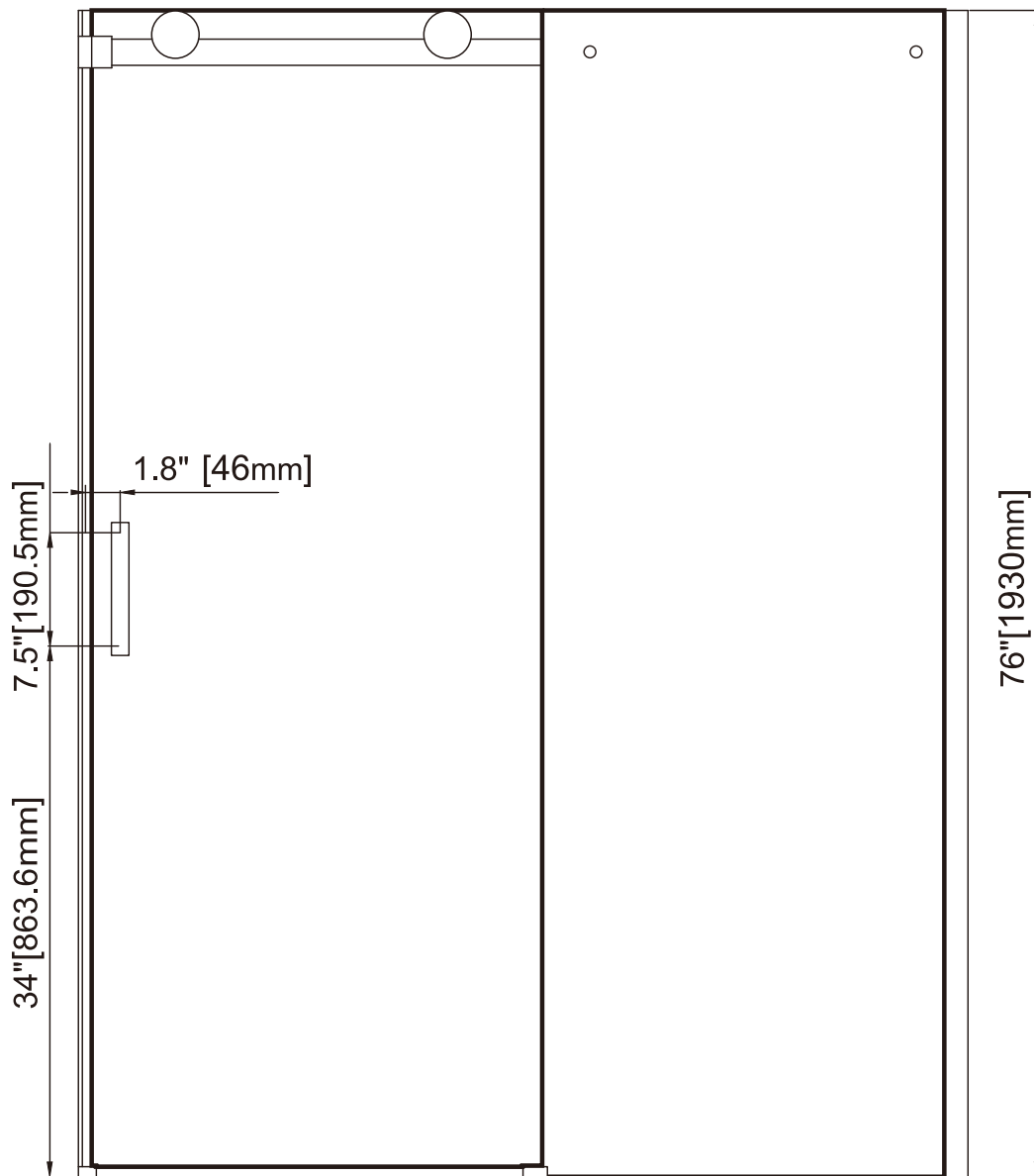


Part	Description	Qty.	Part	Description	Qty.
[01]	Magnetic Wall Column	1	[13]	Fasteners	2
[02]	Wall Jamb	1	[14]	Wheel Guard	2
[03]	Support Bar	1	[15]	Bottom Guide (L&R)	1
[04]	Bottom Rail	1	[16]	Seal (L&R)	1
[05]	Threshold Gasket	1	[17]	Bottom Guide Cap	1
[06]	Magnetic Gasket	1	[18]	Wall Bracket	1
[07]	Gasket	1	[19]	Screw ST5x35mm[1-3/8"]	2
[08]	Side Gasket	2	[20]	Screw ST4x35mm[1-3/8"]	4
[09]	Door Panel	1	[21]	Wrench	1
[10]	Fixed Panel	1	[22]	Anchor	6
[11]	Handle Set	1	[23]	Allen Key 2mm	1
[12]	Trolley Wheel	2	[24]	Allen Key 3mm	1

# SD-FRLS05701\*\*48"\*76"



# SD-FRLS05702\*\*60"\*76"





## ATTENTION

- To avoid personal injury or property damage, identify components and read all instructions before installing.
- This model requires a minimum 2-3/16" (55mm) of flat level threshold space for installation. (Dimension "D" of Fig 2.)
- The instructions below are for installing the fixed panel on the right. To install the fixed panel on the left, transpose all instructions.

## INSTALLATION INSTRUCTIONS

### Step 1

- This shower door must be mounted to a stud. Minimum threshold space is required. **IMPORTANT:** Using a stud finder, ensure the wall intended to hold the door has a stud at the installation point. A stud in this location must be identified to support the support bar and the wall jamb in order to proceed with the installation. If there is no stud in the shown area, we recommend employing a qualified contractor to install one. (Fig 2)
1. Measure in 3/16" (5mm) minimum from the outside of the wall to the profile of the **Wall Jamb [02]** or measure in 3/16" + (A") if you want to install the shower door behind the outside of the wall (Fig 1, Fig 2). A" is the distance between outermost surface of shower door and the outside of the wall.
  2. Use a pencil and stud finder to mark the location of all three screw holes for fixed panel **Wall Jamb [02]** so that it can be mounted to the stud.

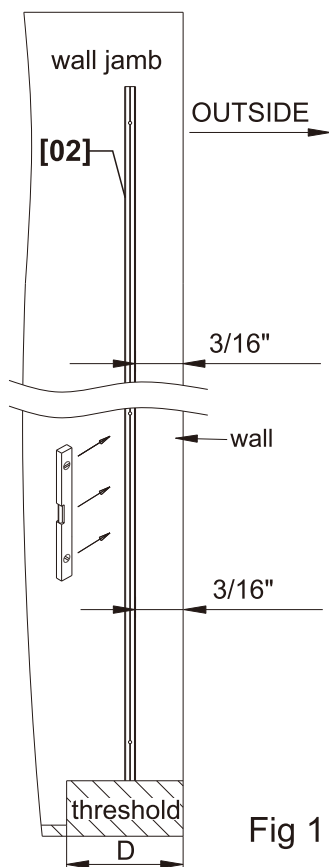


Fig 1

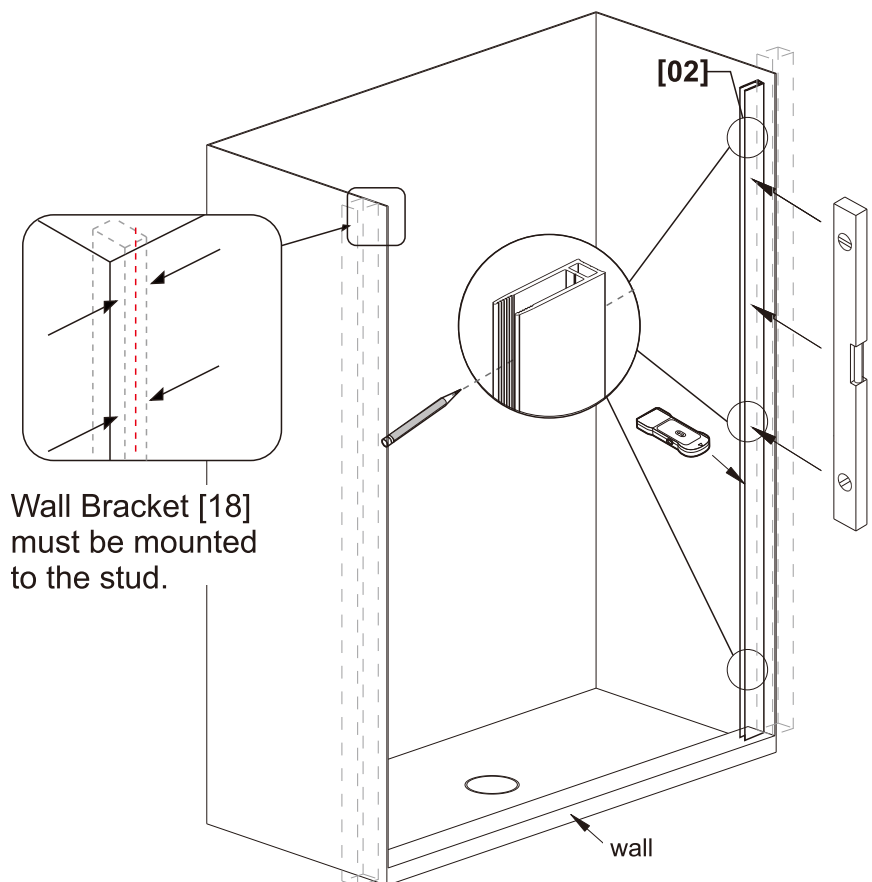


Fig 2

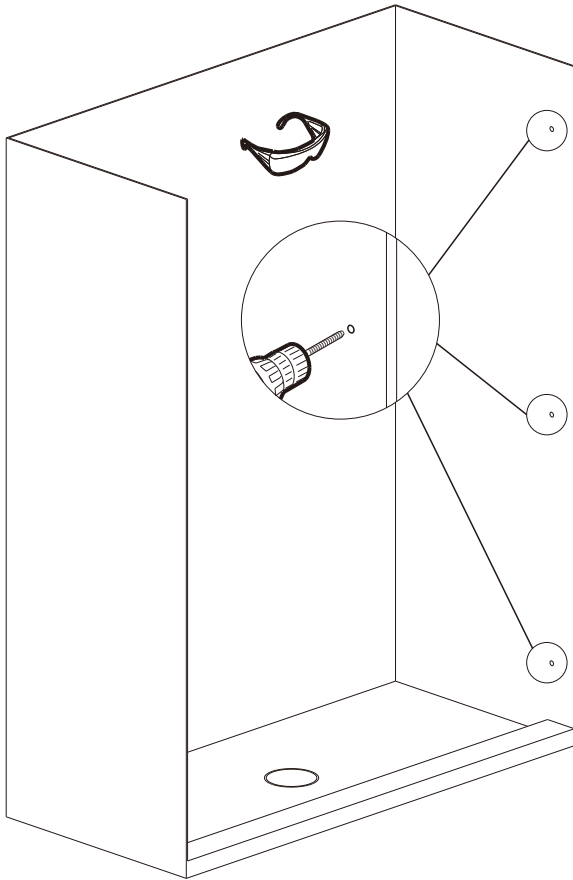


Fig 3

## Step 2

Remove **Wall Jamb [02]** and drill a 1/4" hole at each location marked for **Wall Jamb [02]** (Fig 3).



## ATTENTION

Wear safety glasses and cut-resistant, non-slip gloves when drilling or cutting to avoid risk of injury.

## Step 3

1. Insert **Anchor [22]** in each hole location.
2. The **Anchor [22]** should fit securely into the holes. If needed a rubber mallet can be used to insert Wall Plugs.
3. To reduce risk of property damage, the use of metal hammers is not recommended. If needed, use drill to slightly enlarge the opening of the hole (Fig. 4).

**IMPORTANT: Anchor [22] MUST be used.**

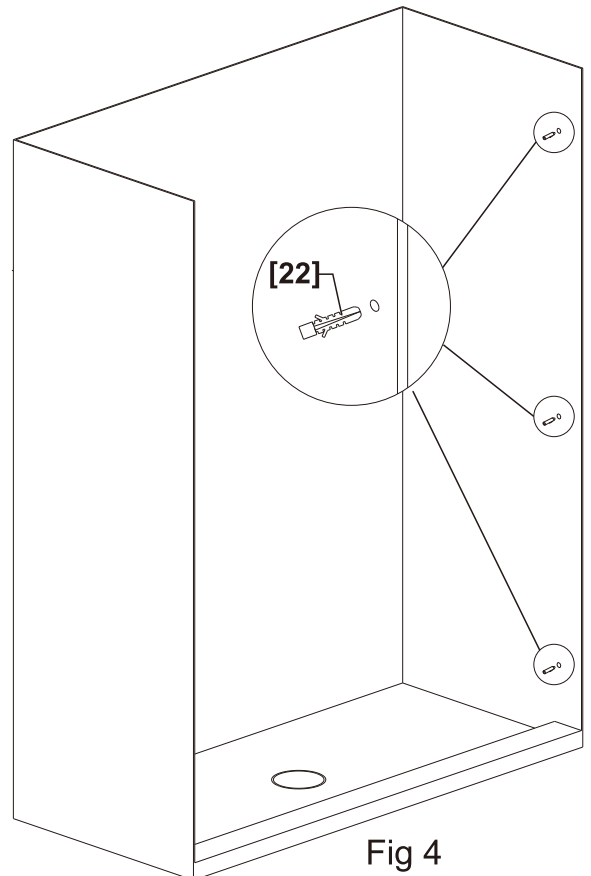


Fig 4

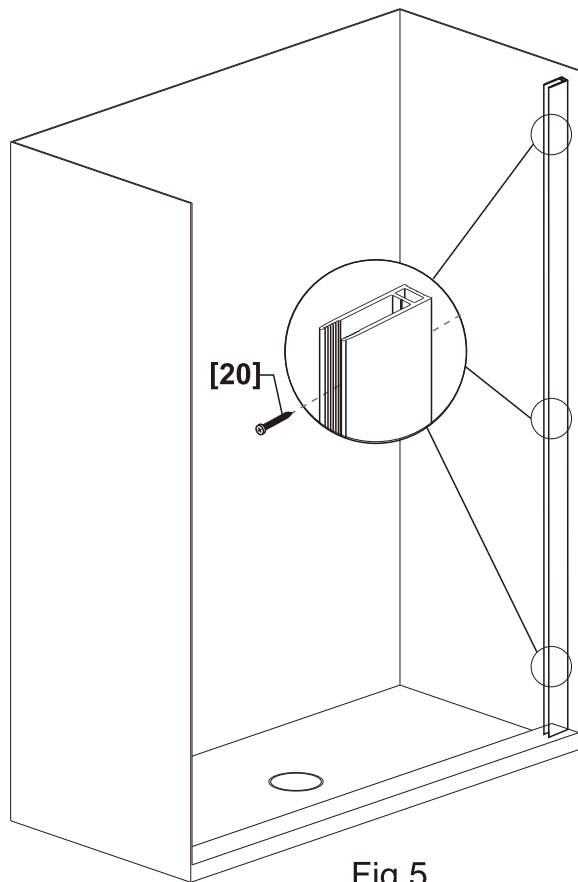


Fig 5

### Step 4

Place the **Wall Jamb [02]** onto the wall. Use drill to start the **ST4x35 screw [20]** into the **Anchor [22]**. Use a screwdriver to hand tighten until secure. (Fig. 5)

### Step 5

1. Carefully lay your glass panels flat on a soft, padded surface to inspect the glass.
2. Apply a good quality Silicone Sealant on the bottom of the **Fixed Panel [10]** (Fig 6.1).
3. Place a thick bead of silicone along the full length of the inside of the back inner corner of **Fixed Panel [10]** **Wall Jamb [02]** (Fig 6.2).
4. Remove inside corner protector from top of **Fixed Panel [10]**. Carefully, and with assistance from another capable person, position the **Fixed Panel [10]** into the **Wall Jamb [02]** (Fig 6.3).

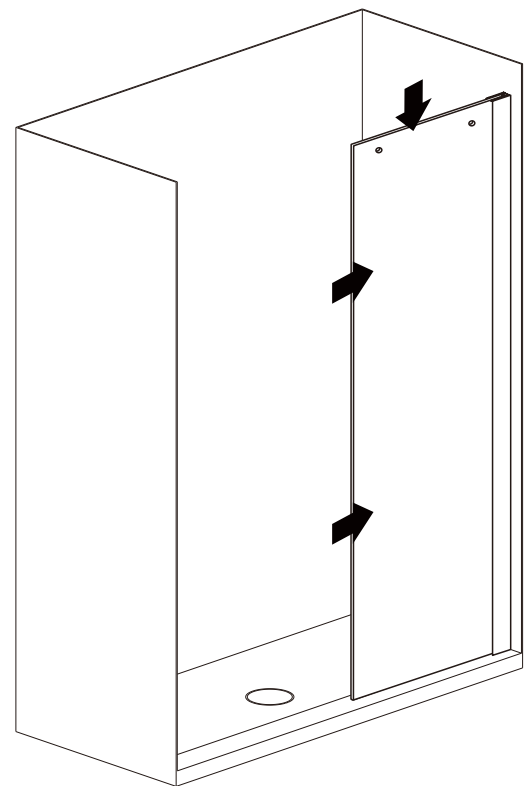
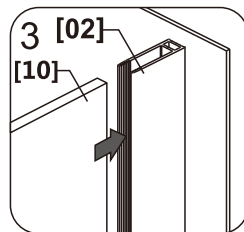
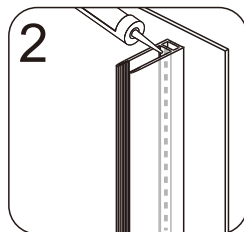
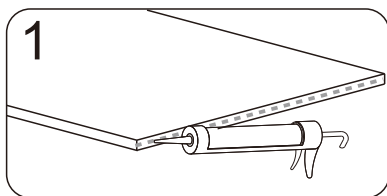


Fig 6

## Step 6

1. Using a level, check that **Fixed Panel [10]** is level vertically (Fig 7).
2. Install the **Gasket [07]**. (Fig 7.1)

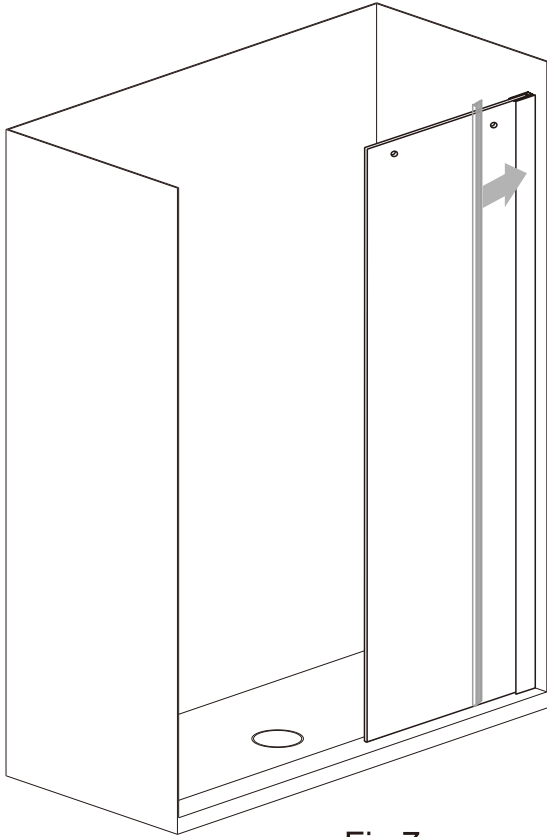
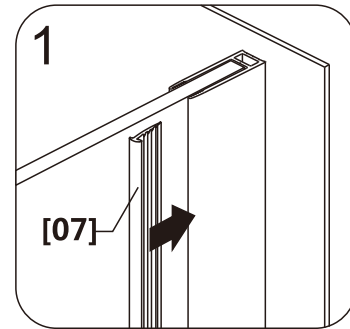


Fig 7



## Step 7

1. Check that the measurement from front of wall to **Fixed Panel [10]** is the same at both ends of the panel (Fig 8.1).
2. Use silicone caulk to seal the inner edge of the **Fixed Panel [10]** (Fig 8.2).

Clean off any excess silicone.

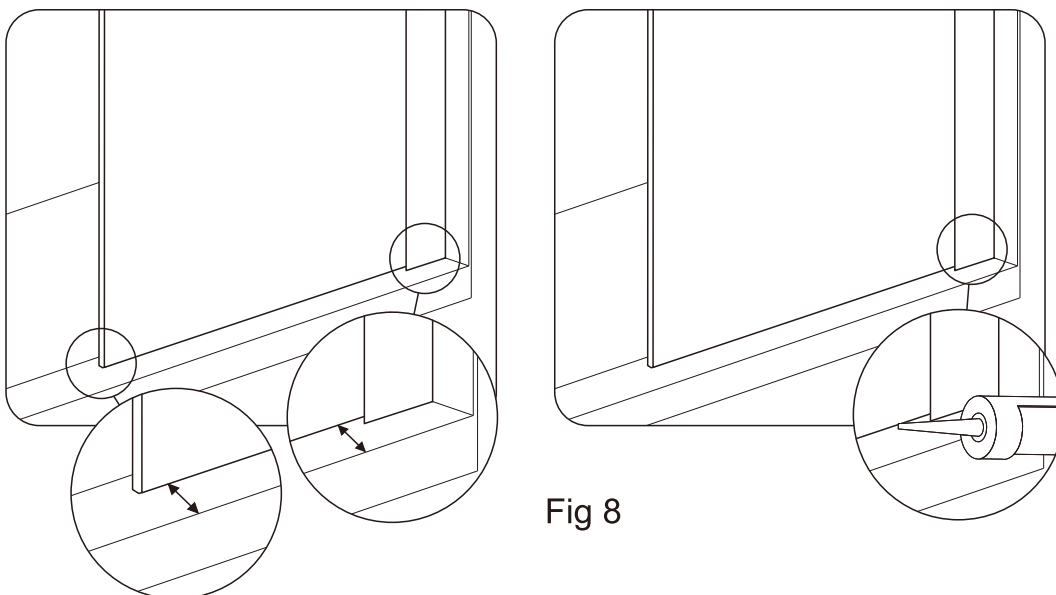


Fig 8



## Step 8

1. Measure the finished opening width at the model height ("W1").

**IMPORTANT: If the Support Bar [03] matches the width, there's no need to cut it. If it doesn't, please see Step 2 for cutting instructions (Fig 9.1).**

2. Using a pencil or another marking tool (such as masking tape), mark distance "W1, minus 11/16" (17.5mm) " on the **Support Bar [03]** (to leave some space for the **Wall Bracket [18]**).

**IMPORTANT: Double check the measurements before cutting.** Cut the **Support Bar [03]** with a fine toothed (32 TPI) hack saw. If needed, use a metal file to smooth rough edges. Clean up metal shavings.

DO NOT stand on or use a vice to hold the **Support Bar [03]** while cutting.

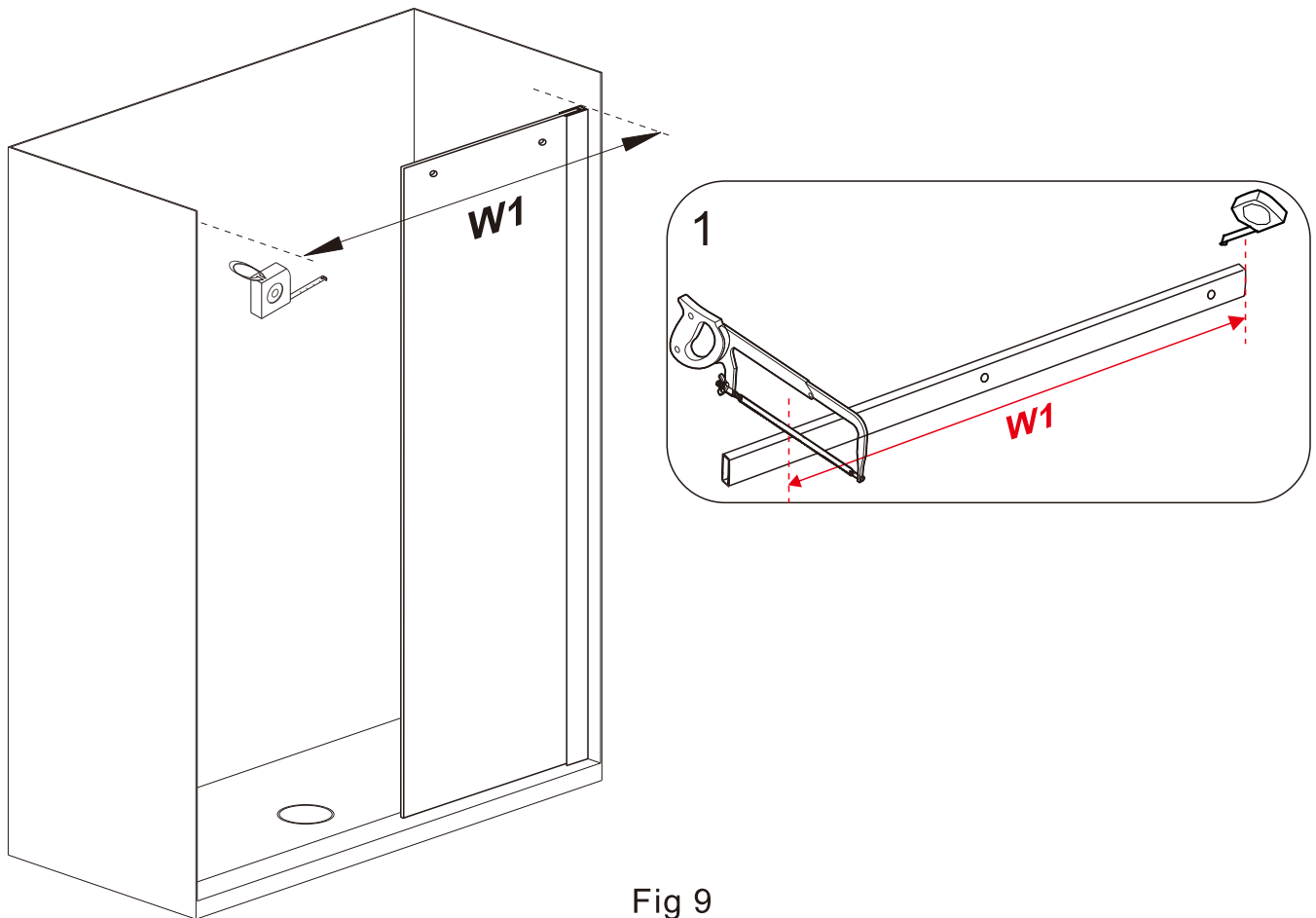


Fig 9

## Step 9

1. Unscrew **screw "a"** and tighten **screw "b"**. Unscrew **screws "c"** and **"d"** until the screws do not protrude from the inside surface. Keep the screws in the **Wall Bracket [18]** (Fig 10.1).
2. Install the **Wall Bracket [18]** to the **Support Bar [03]**. Slightly tighten the **screw "d"** (Fig 10.2).
3. Attach the **Support Bar [03]** to the inside of the **Fixed Panel [10]** with the **Fasteners [13]** as shown in Fig 10.3. Ensure the **Support Bar [03]** is level. Use provided Allen wrench to hand tighten.

**IMPORTANT:** Ensure all washers and bushings are installed as shown. Repeat for remaining **Fasteners [13]**.

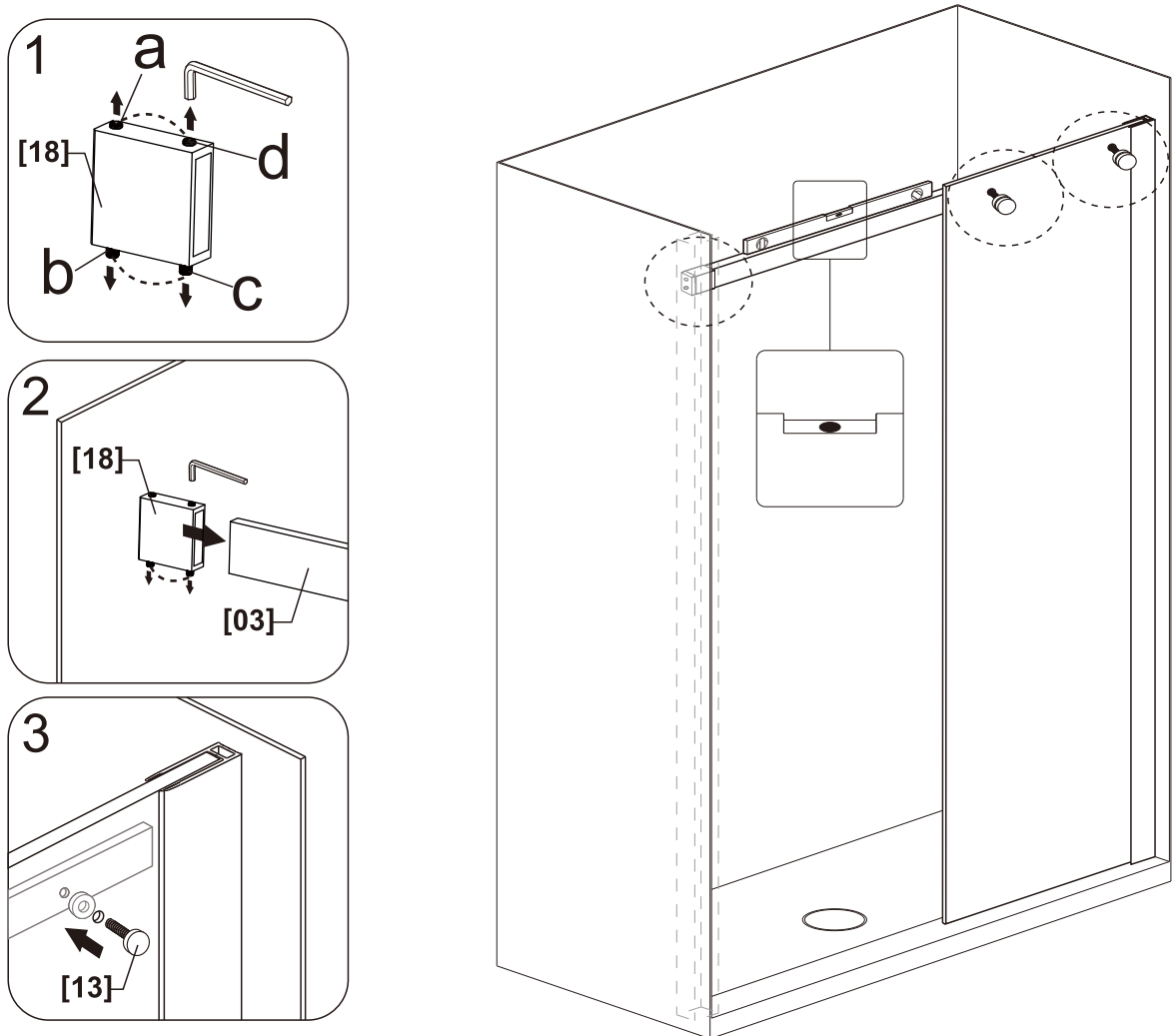


Fig 10

## Step 10

1. Using a pencil or other marking tool (such as masking tape), mark the position of the **Wall Bracket [18]** (Fig 11.1).
2. Remove the **Support Bar [03]** and remove the **Wall Bracket [18]** from the **Support Bar [03]**.
3. Mark the screw hole locations (Fig 11.2).
4. Drill a 1/4" hole to accept the **Anchor [22]** (Fig 11.3).  
**IMPORTANT:** To avoid risk of injury or product damage, make sure that you drill into studs.
5. Insert **Anchor [22]** in hole location. If needed, a rubber mallet can be used to insert anchor. To reduce risk of property damage, metal hammers should not be used. If needed, use drill to slightly enlarge the opening of the hole (Fig 11.4).  
**IMPORTANT:** **Anchor [22]** MUST be used.

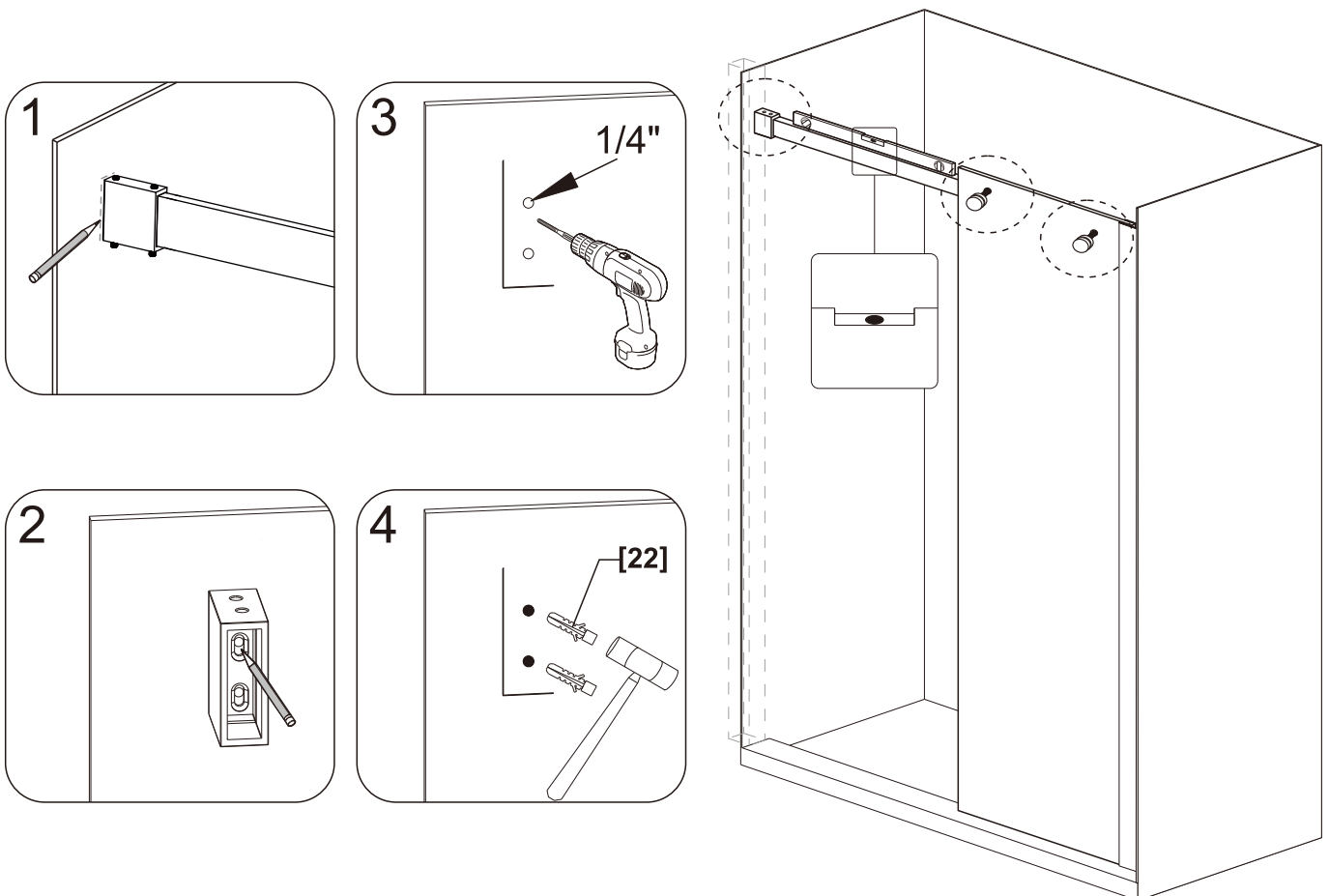


Fig 11

## Step 11

1. Disassemble the **gasket** and **anchor** from the **Wall Bracket [18]**. Attach the **gasket** and **anchor** to wall using **Screw ST5x35 [19]**. Use drill to start screws into **anchor**. Next, use a screwdriver to hand tighten until secure (Fig 12.1).
2. Slide bracket sleeve onto end of **Support Bar [03]** (Fig 12.2).
3. Slide bracket sleeve onto the anchor. Tighten two **screws** of the **Wall Bracket [18]** by following sequence "**b**", "**a**" (Fig 12.3).
4. Attach the **Support Bar [03]** to the inside of the **Fixed Panel [10]** with the **Fasteners [13]** as shown in Fig 12.2. Ensure the **Support Bar [03]** is level. Use provided Allen wrench to hand tighten (Fig 12.3, Fig 12.5).
5. Tighten two **screws** of the **Wall Bracket [18]** by following sequence "**d**", "**c**" (Fig 12.6).

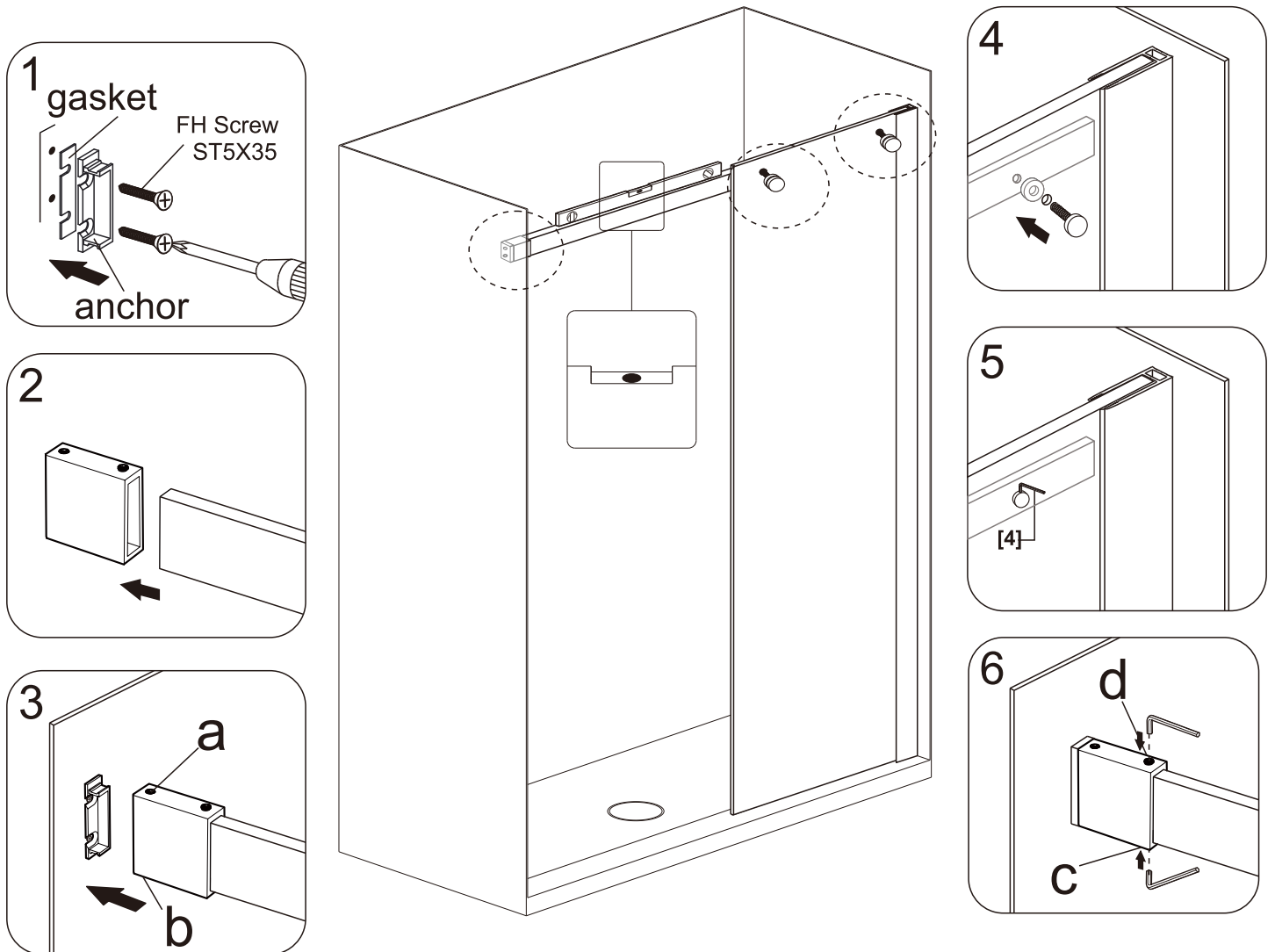


Fig 12

## Step 12

- Depending on which side of the **Fixed Panel [10]** is installed, either **Bottom Guide (L&R) [15]** will be used. For this left side opening, **Bottom Guide [15B]** will be shown being installed.

Mark center guide hole location.

1. Push the button of the **Bottom Guide [15]** to disassemble it into part **a** and **b** (Fig 13.1).
2. Place **part a** into correct position against the **Fixed Panel [10]** and mark the hole location (as shown in Fig 13.2).
3. Remove **part a** and drill a 1/4" hole for cement threshold, 1/8" hole for acrylic or wood threshold (Fig 13.3).
4. Install a **Wall Plug [22]** for cement threshold (Fig 13.4).
5. Place **part a** into position against the **Fixed Panel [10]** and attach it using **Screw ST4x35 [20]** (Fig 13.5).
6. Install the **Bottom Guide Cap [17]** (Fig 13.6).

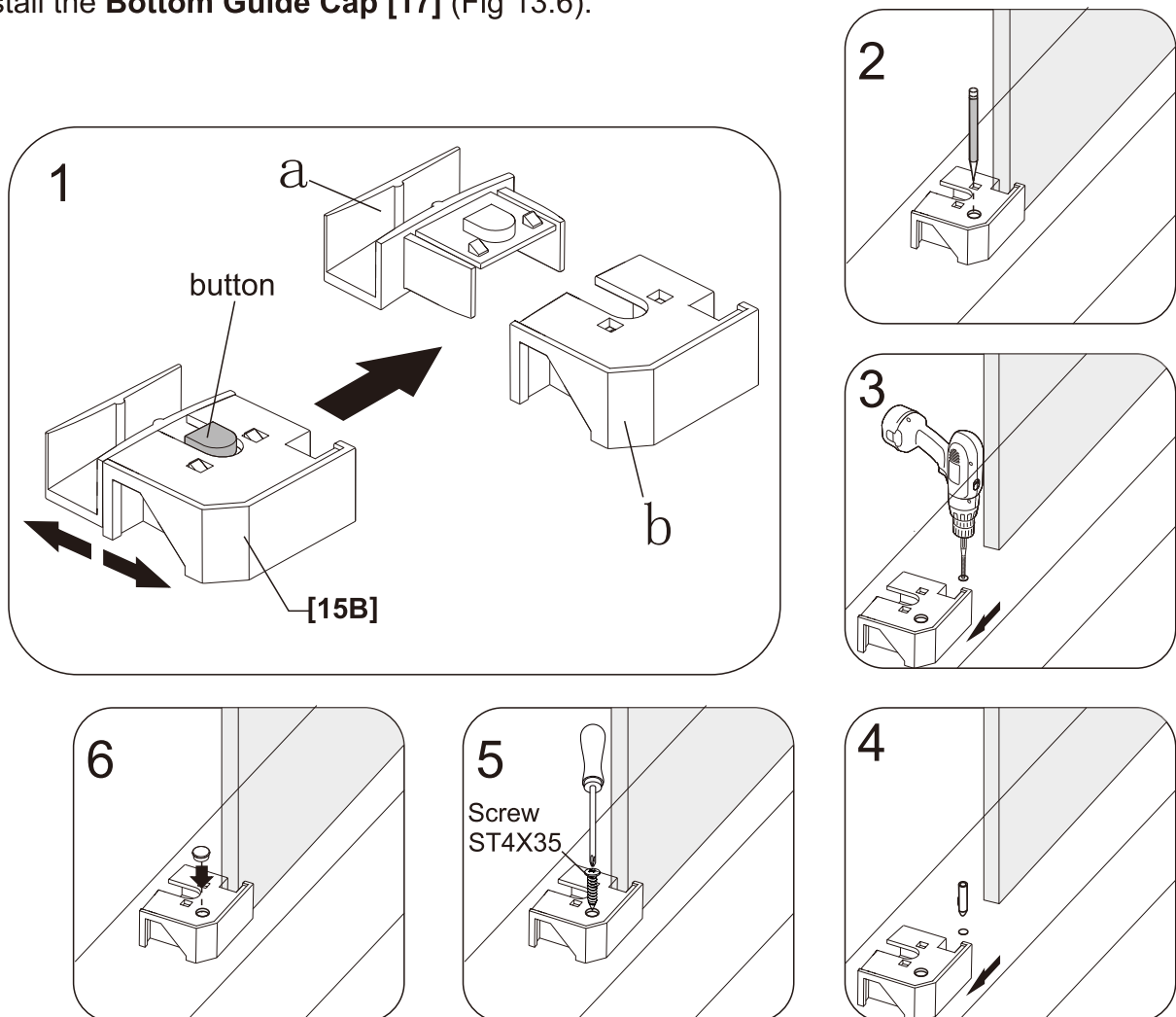


Fig 13

## Step 13

1. Using provided adjustment **Wrench [21]**, disassemble **Trolley Wheel [12]** as shown in (Fig 14.1). Repeat for the remaining **Trolley Wheel [12]** .
2. Install **Trolley Wheel [12]** to the **Door Panel [09]**. The washer should be on the metal part side (Fig 14.2). Adjust the Adjusting Nut like the picture below (Fig 14.2a).
3. Use wrenches in the package to fix the **Trolley Wheel [12]** (Fig 14.3).

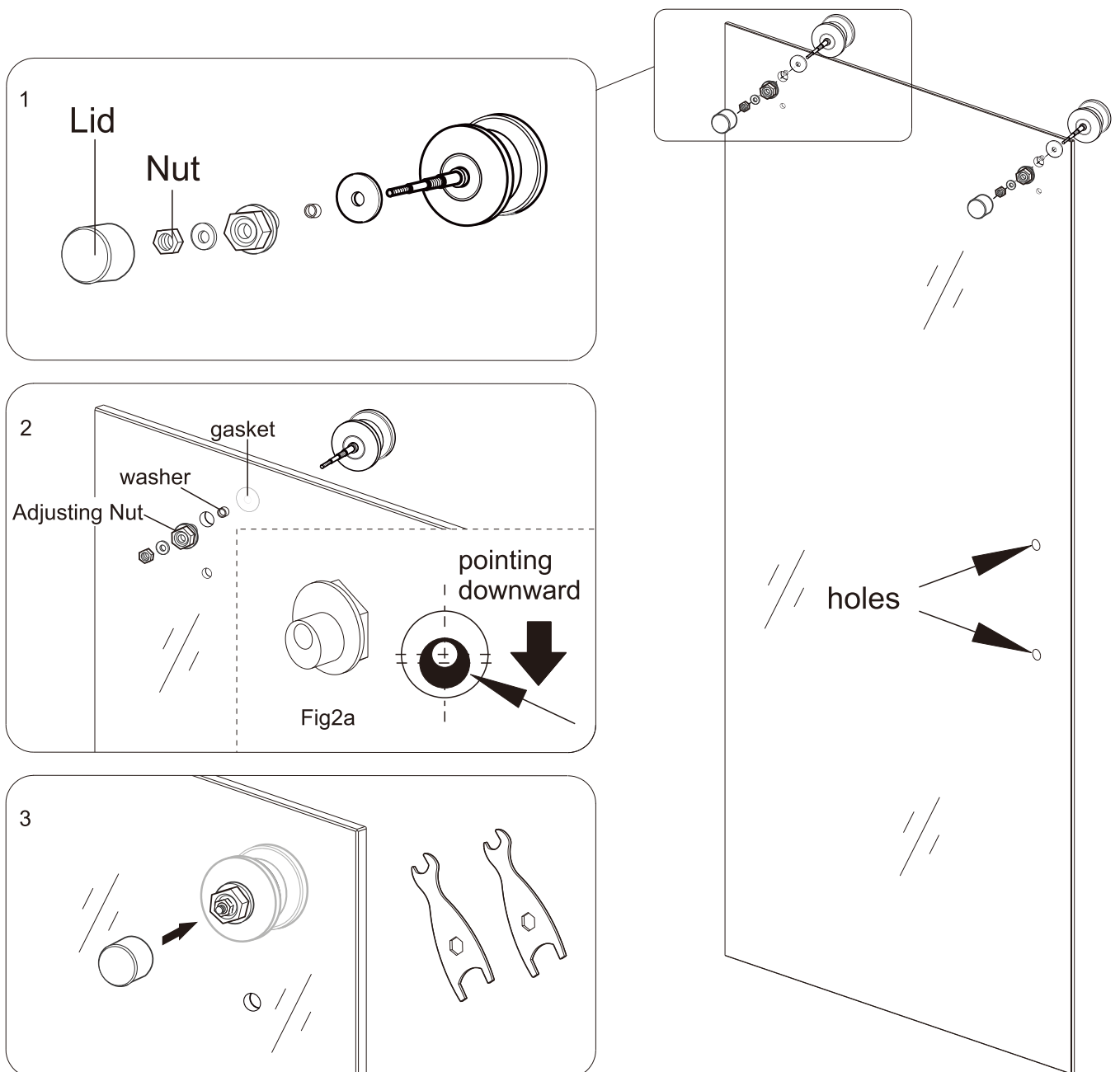


Fig 14

## Step 14

1. From inside of enclosure, carefully, and with assistance from another capable person, hang sliding **Door Panel [09]** and **Trolley Wheel [12]** assemblies onto **Support Bar [03]** (Fig 15.1).
2. Disassemble **Wheel Guard [14]** as shown in Fig 15.2.
3. From inside enclosure, install **Wheel Guard [14]** to inside of sliding **Door Panel [09]** as shown in Fig 15.3. Use **Wrench [21]** and **Allen Key 2mm [23]** to hand tighten until secure. (Fig 15.3). Turn the nut of **Wheel Guard [14]** with the **Wrench [21]** to fit the rail of **Support Bar [03]**
4. Install **part b** against the **Door Panel [09]** as shown in Fig 15.4 and insert back to **Part a**.

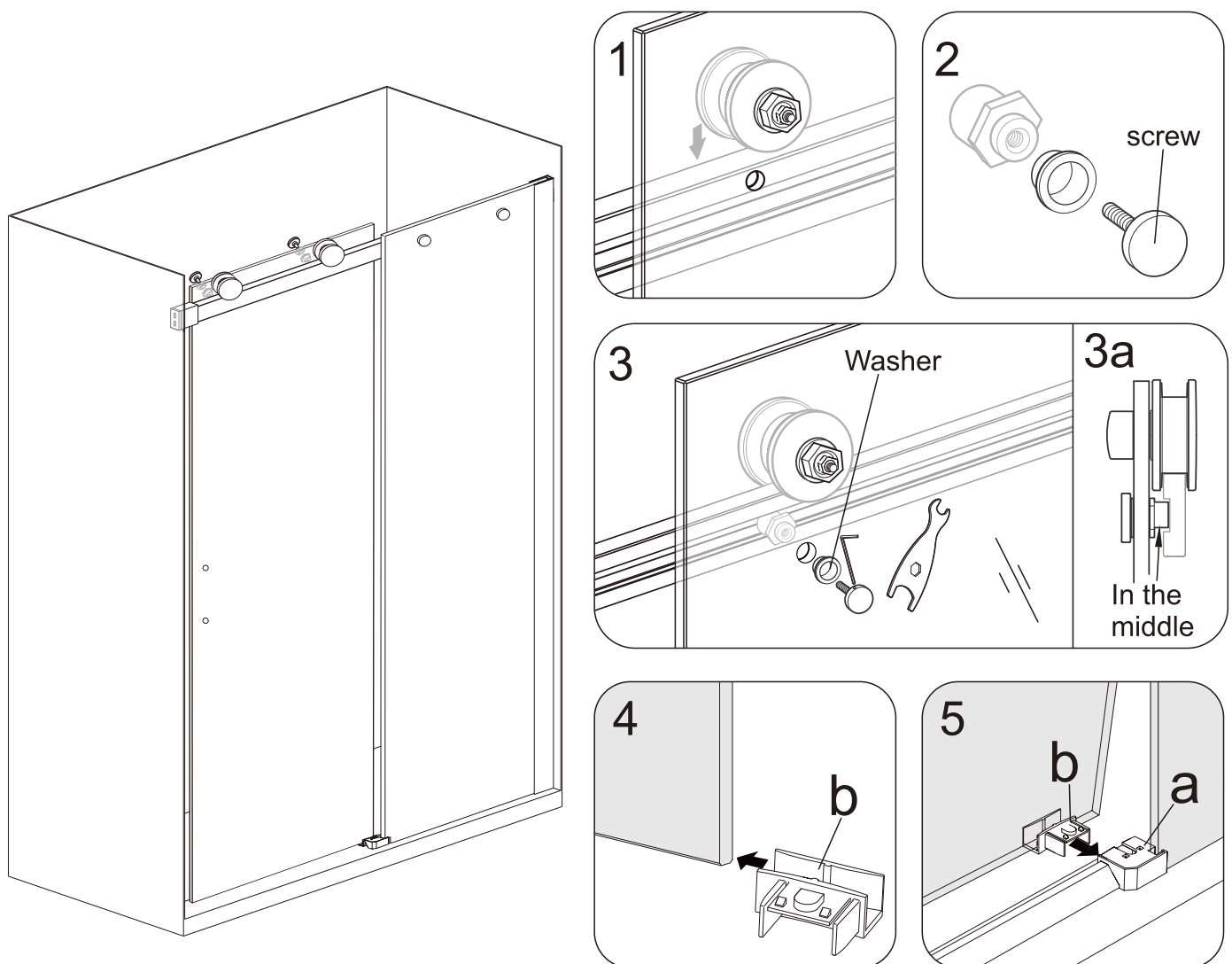


Fig 15

## Step 15

1. Measure the distance between the **Bottom Guide [15]** and the door side wall ("W1"). The length of **Threshold Gasket [05]** would be "**W1, minus 1-3/16 (30mm)**" (Fig 16.1).

**IMPORTANT: if the Bottom Rail [04] and the Threshold Gasket [05] match the width. There's no need to cut them. If they don't, please see Step 2 for cutting instructions.**

2. Using a pencil or another marking tool (such as masking tape), mark distance "**W1**" on the **Bottom Rail [04]**, "**W1 minus 1-3/16"** (30mm)" on the **Threshold Gasket [05]**.

**IMPORTANT: Double check the measurements before cutting.** Cut the **Bottom Rail [04]** with a fine toothed (32 TPI) hack saw. If needed, use a metal file to smooth rough edges. Clean up metal shavings. Cut the **Threshold Gasket [05]** with a tin snip. **DO NOT** stand on or use a vice to hold the **Bottom Rail [04]** while cutting.

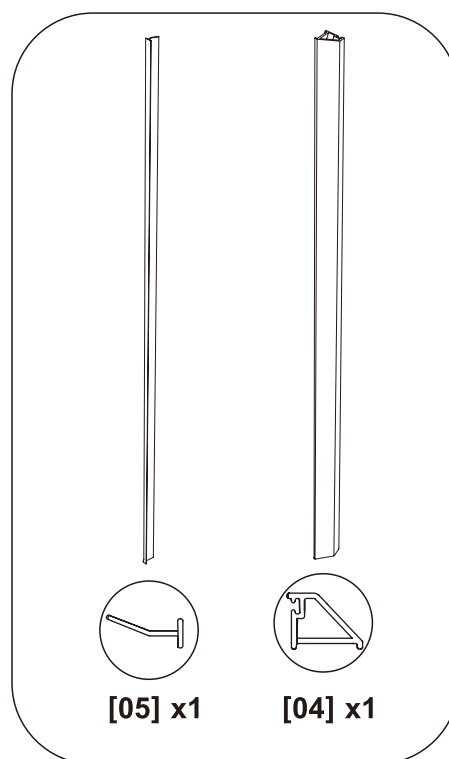
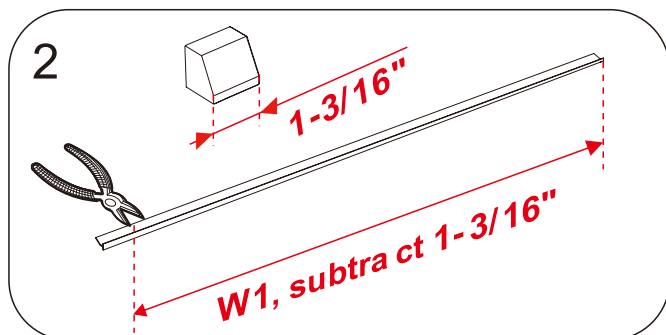
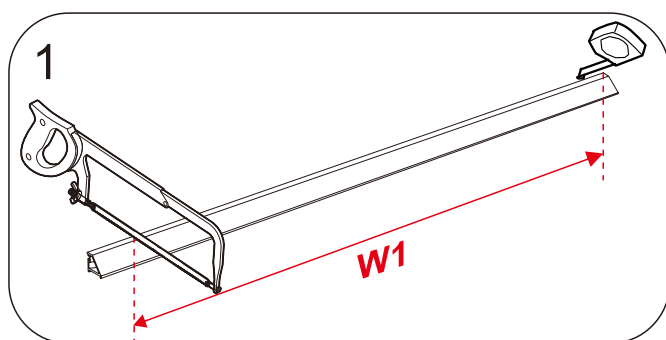
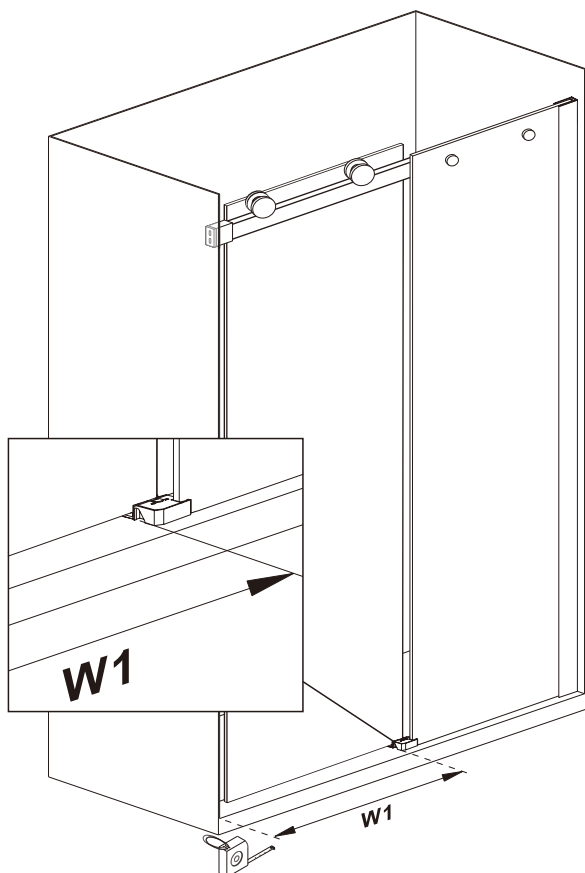


Fig 16



## Step 16

1. Check that the measurement from front of wall to **Bottom Rail [04]** is the same at both ends of rail and mark using the pencil (Fig 17.1).
2. Install the **Threshold Gasket [05]** as shown in Fig 17.2.
3. Apply silicone to the **Bottom Rail [04]** and install it against the **Bottom Guide [15]** (Fig 17.3 and Fig 17.4).
4. Apply silicone to the **Seal [16B]** and attach to the end of **Bottom Rail [04]**. Make sure the **Bottom Rail [04]** aligns with the mark (Fig 17.5, Fig 17.6).

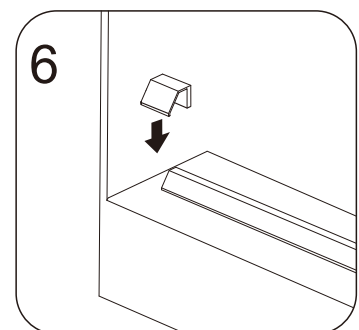
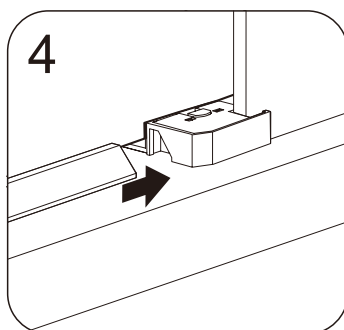
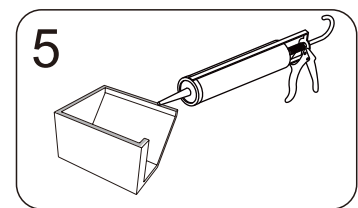
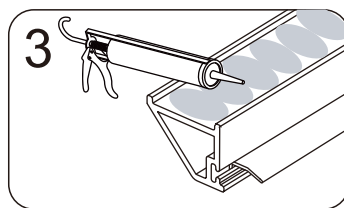
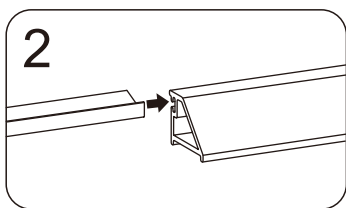
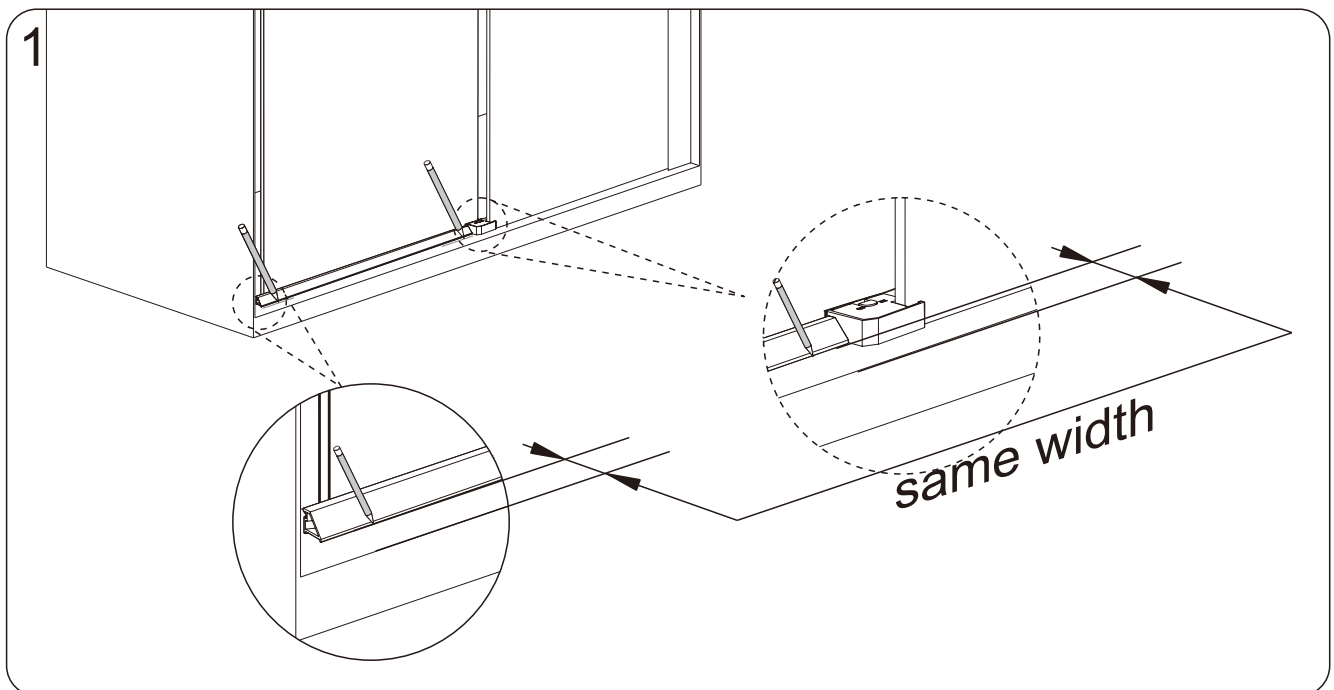


Fig 17

## Step 17

1. Attach the **Magnetic Gasket [06]** to the **Door Panel [09]** close to the side wall as shown in Fig 18.1.

2. If the **Side Gasket [08]** is longer than the **panels** after installation. cut it to correct length. Cut the part of the **Side Gasket [08]** that is interfering with the **Support Bar [03]** as shown in Fig 18.2.

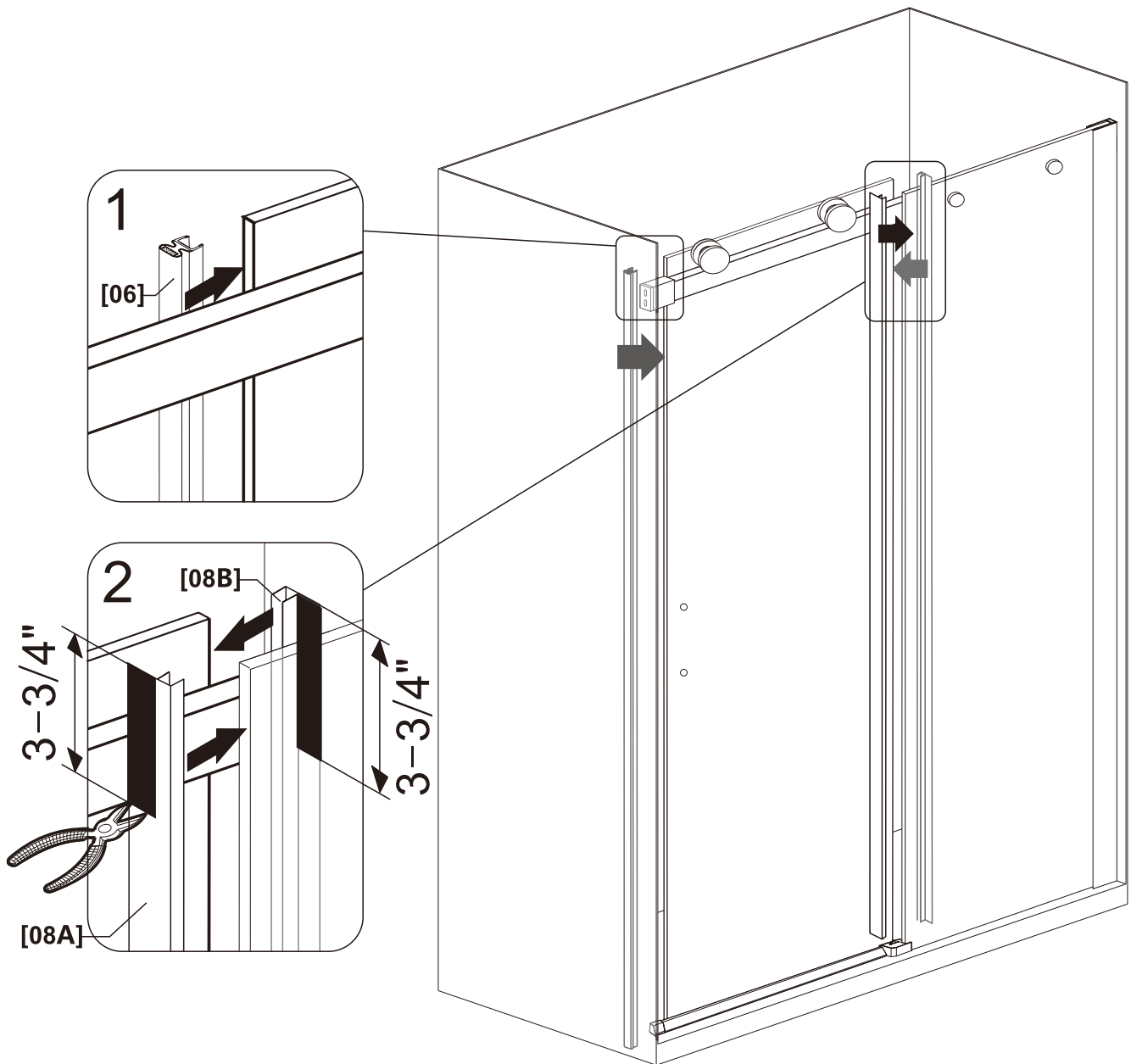
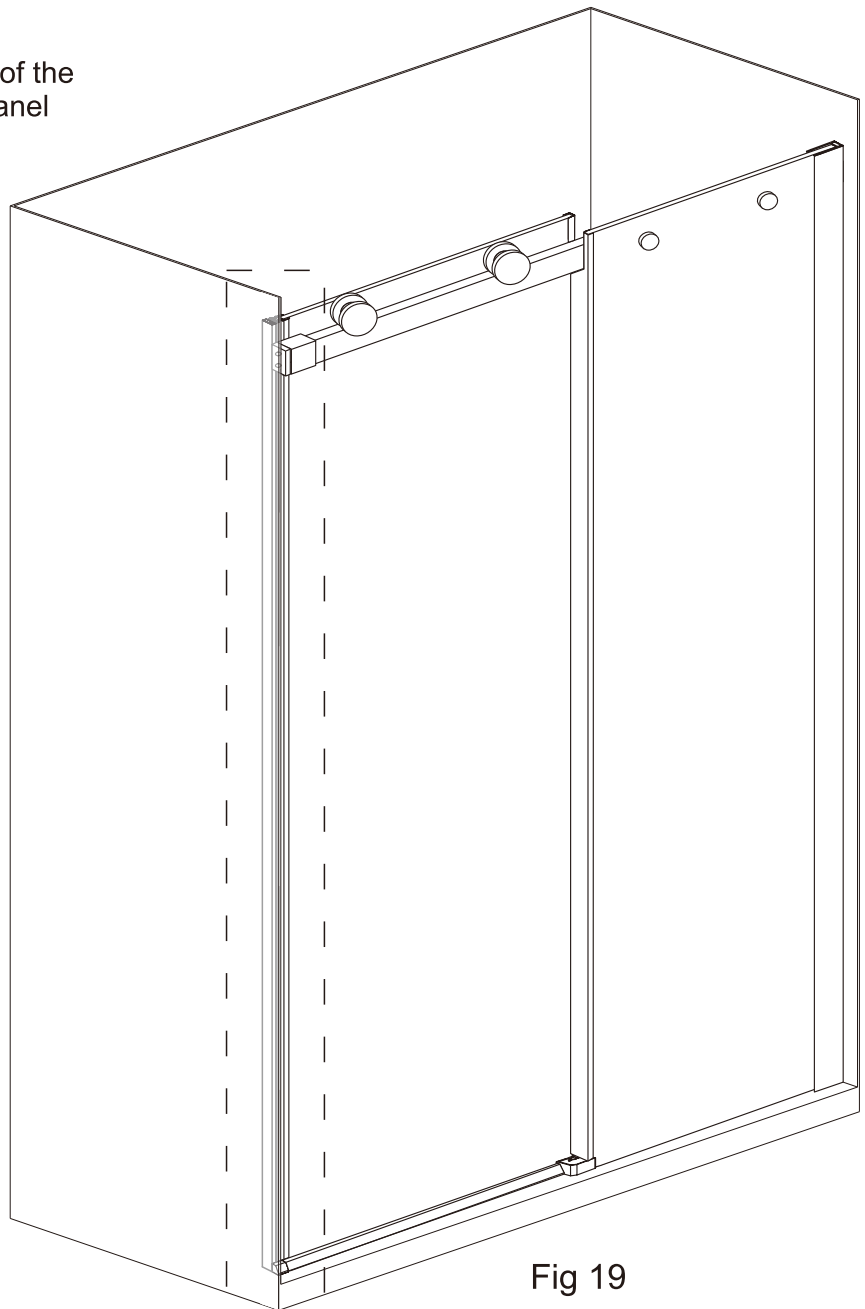
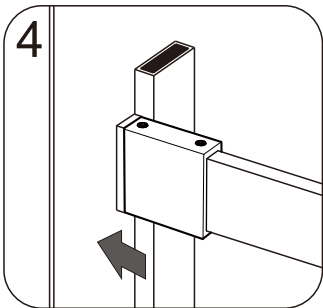
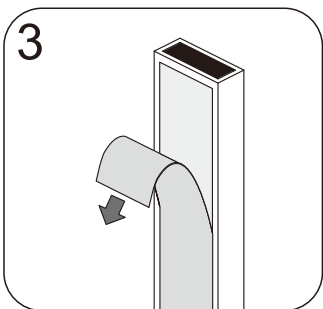
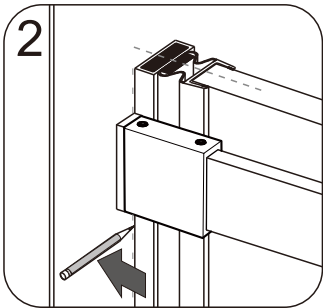
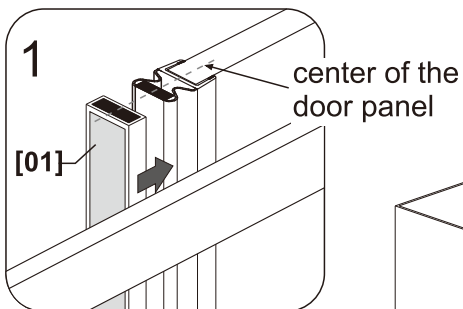


Fig 18

## Step 18

1. Attach the **Magnetic Wall Column [01]** to the installed **Magnetic Gasket [06]**. Make sure the **Magnetic Wall Column [01]** aligns to the center of the door panel as shown in Fig 19.1.
2. Slide the **Door Panel [09]** to the wall which is in contact with the **Magnetic Wall Column [01]**. Use a pencil to mark the side of **Magnetic Wall Column [01]** (Fig 19.2).
3. Tear off the tape from the **Magnetic Wall Column [01]** (Fig 19.3). Place the **Magnetic Wall Column [01]** onto the marked position and gently press the column to secure it. (Fig 19.4)



## Step 19

1. If needed, the door height at each wheel can be individually adjusted by using the **Wrench [21]**.

a. For the **Trolley Wheel [12]**, use a **Wrench [21]** to carefully loosen the nut half a turn. Rotate plastic nut as shown in Fig 20.1. This will raise or lower the **Door Panel [09]** at this location so that the door panel can match the wall better. Fasten the nut again after the adjustment.

b. For the **Wheel Guard [14]**, use the **Wrench [21]** to hold the nut and use the **Allen Key 2mm [23]** to loosen the nut half a turn. Rotate plastic nut as shown in Fig 20.2. This will adjust the **Wheel Guard [14]** to fit the groove of the **Support Bar [03]** better. Fasten the nut again after the adjustment.

2. Install the covers of the **Trolley Wheel [12]** (Fig 20.3).

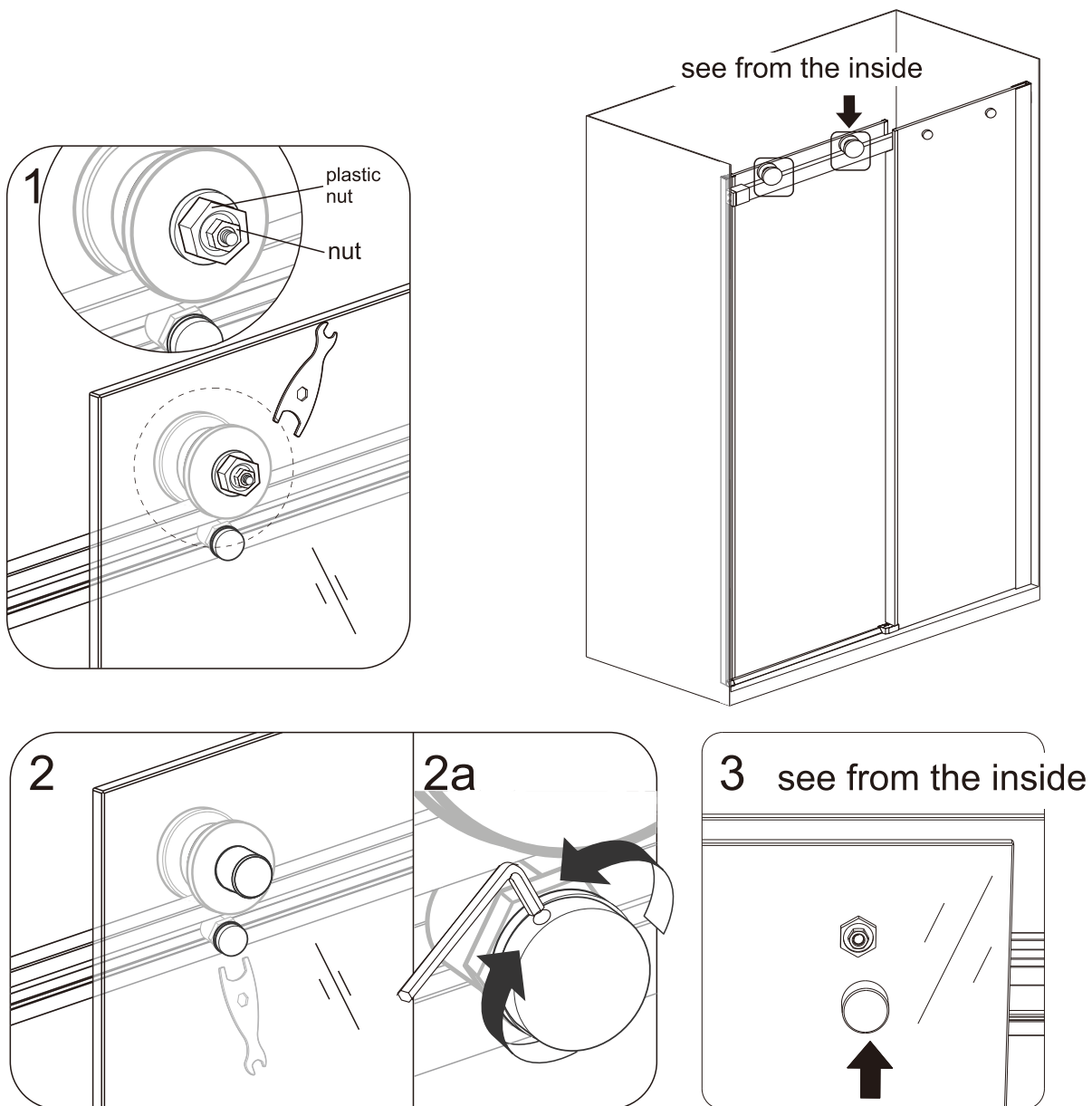


Fig 20

## Step 20

1. Disassemble **Handle Set [11]** by loosening the screws (Fig 21.1).
2. Install handles and gaskets on both sides of the **Door Panel [09]** as shown in Fig 21.2.  
The handle with screw holes faces inside.
3. Tighten the screws to secure the **Handle Set [11]**.

IMPORTANT: DO NOT over tighten the screws.

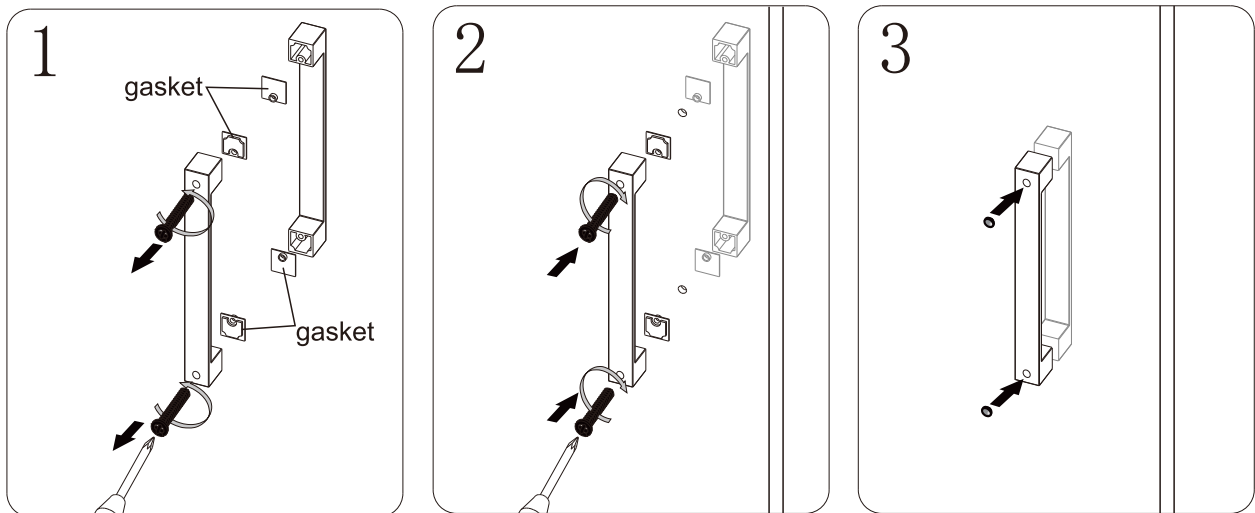


Fig 21

## Step 21

1. Apply a good quality Silicone Sealant on the walls and threshold along the bottom profile and wall profiles (Fig 22).



Allow 24 hours for the silicone to fully cure before using the shower.

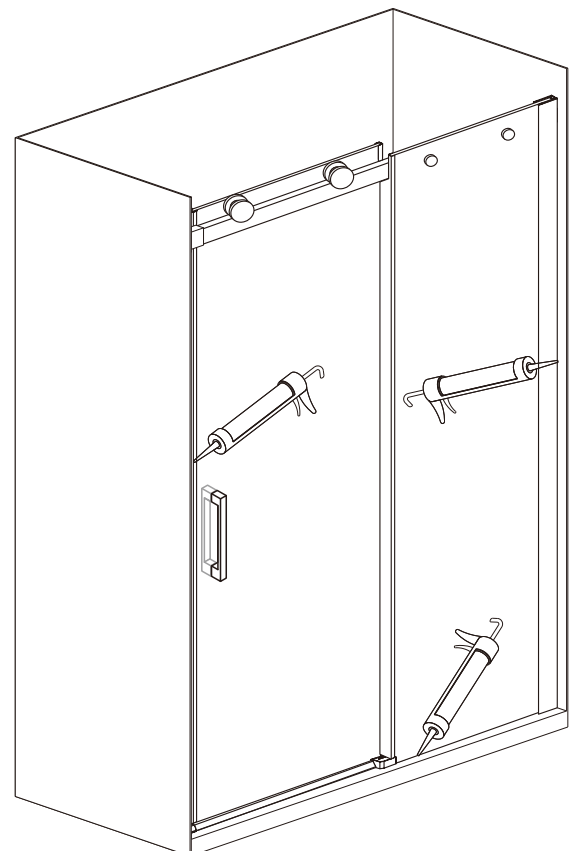
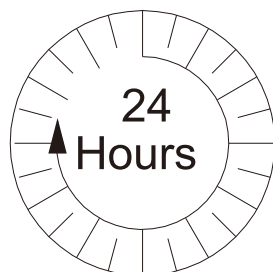


Fig 22

## Step 22

1. To install the **Door Panel [09]** on the left: Use **Bottom Guide [15B]** and **Seal [16B]** (Fig 23).
2. To install **Door Panel [09]** on the right: Use **Bottom Guide [15A]** and **Seal [16A]** (Fig 24).

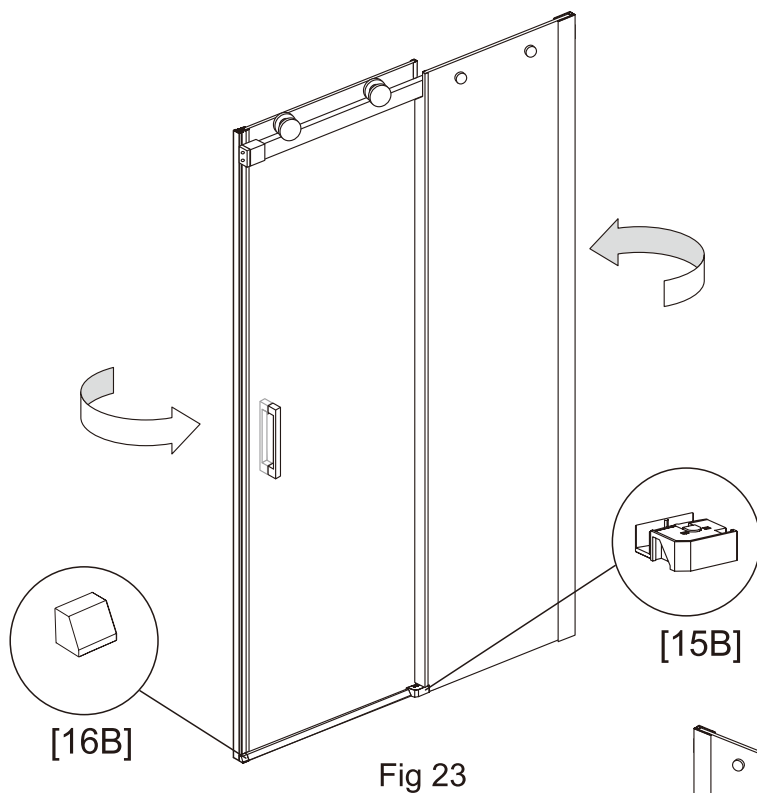


Fig 23

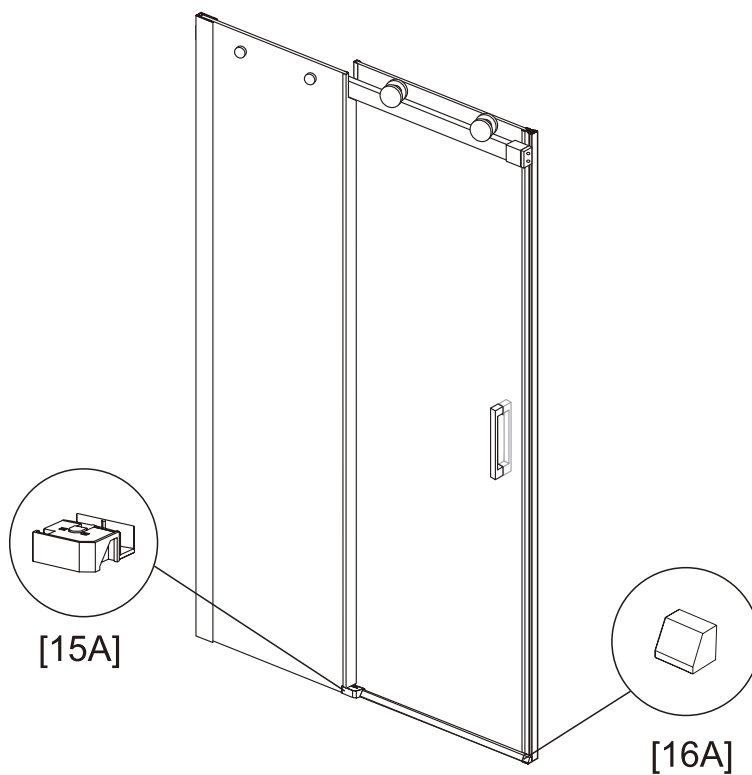


Fig 24

## Care & Maintenance

**BASES and BACK WALLS:** To ensure long-lasting life for your acrylic bases and back walls (if installed), wipe them off after each use with a soft cloth. To clean the acrylic surface, use non-abrasive sprays or cream based cleaners. Avoid the use of aerosol spray cleaners. Never use abrasive cleansers, metal brushes, or scrapers, as they can scratch or dull the surface.

**GLASS:** To ensure long-lasting life for your glass shower products, after each use rinse and wipe off the glass using either a soft cloth or a squeegee to prevent soap buildup and water spots (hard water can etch the surface of the glass over time if left to dry). To avoid damaging the surface, never use abrasive cleaners or cleaning products that contain scouring agents. Likewise, never use bristle brushes or abrasive sponges that can scratch the surface.

**HARDWARE:** To ensure a long-lasting finish, wipe off the metal parts after using with a soft cloth. Do not use abrasive cleaners or cleaning products containing ammonia, bleach, or acid. If accidentally used, rinse the surface as soon as possible to prevent damage to the finish (peeling or corrosion). After cleaning the polished finishes, rinse thoroughly and wipe dry with a soft cloth. Clean stainless steel surfaces at least once a week. When applying stainless steel cleaner or polish to stainless steel hardware, work with (not across) the grain. Never use an abrasive sponge or cloth, steel wool, or wire brush, which may permanently scratch the surfaces.

**NOTE: Regularly inspect the glass and all hardware for misalignment, proper attachment, and damage. Contact ANZZI with any questions or concerns.**



ANZZI®