

## ECOPOWER® Ultra High-Efficiency Urinal Flush Valve, 0.125 GPF

### FEATURES

- 0.125 GPF
- Self-powered hydroelectric flush valve system
- No minimum daily usage requirement
- 4" x 4" brushed stainless steel cover plate with solid bronze valve body
- Neutral rough-in and adjustable tail piece connection
- Manual flush override
- Smart sensor with self-adjusting detection range
- 6-second detection time to prevent ghost flushing
- Protects trap seal with a maintenance flush if not used in a 12 hr period
- Contributes to earning credits in LEED®
- IoT-enabled options available to remotely monitor usage rates, water consumption, fixture performance and streamline operations in real time with instant alerts

### OPTIONAL ACCESSORIES

- **Z-4000-J**  
Adapter for ground joint angle stops

### COLORS/FINISHES

- #SS Stainless Steel

### MODELS

Kit Options	Component Breakdown		
	Flush Valve	Vacuum Breaker Set	IoT Card
<b>TEU3UAI11#SS</b>	TEU3UAI#SS	VB1311R#RB (back spud)	*
<b>TEU3UAI12#SS</b>	TEU3UAI#SS	VB0912R#RB (top spud)	*
<b>TEU3UAI4#SS</b>	TEU3UAI#SS		THP3566
<b>TEU3UAI411#SS</b>	TEU3UAI#SS	VB1311R#RB (back spud)	THP3566
<b>TEU3UAI412#SS</b>	TEU3UAI#SS	VB0912R#RB (top spud)	THP3566

\*Requires communication card (sold separately) for IoT functionality



### PRODUCT SPECIFICATION

TOTO® Model No. \_\_\_\_\_ Product shall be 0.125 GPF. Product shall be an automatic infrared sensor activated, urinal flush valve. Product shall use hydropower, ECOPOWER flush valve system. Product shall have 4" x 4" cover plate with brushed stainless steel finish and solid bronze valve body. Product shall have neutral rough-in and adjustable tail piece connection. Product shall have smart sensor with self-adjusting detection range. Product shall have manual flush override. Product shall have 6-second detection time to prevent ghost flushing. Product shall have solenoid with self-cleaning mechanism.

### CODES/STANDARDS

- Meets or exceeds ASSE 1037/ASME A112.1037/CSA B125.37
- FCC compliant to Part 15
- Certifications: IAPMO(cUPC), EPA WaterSense, State of Massachusetts, and others
- Code Compliance: UPC, IPC, NSPC, NPC Canada, and others
- Complies with CA Title 20 regulations and CalGreen when used with a 0.125 GPF wall mount urinal
- ADA compliant
- Complies with CA Prop 65 warning requirements



# TEU3UAI Series

## ECOPOWER® Ultra High-Efficiency Urinal Flush Valve, 0.125 GPF

### SPECIFICATIONS

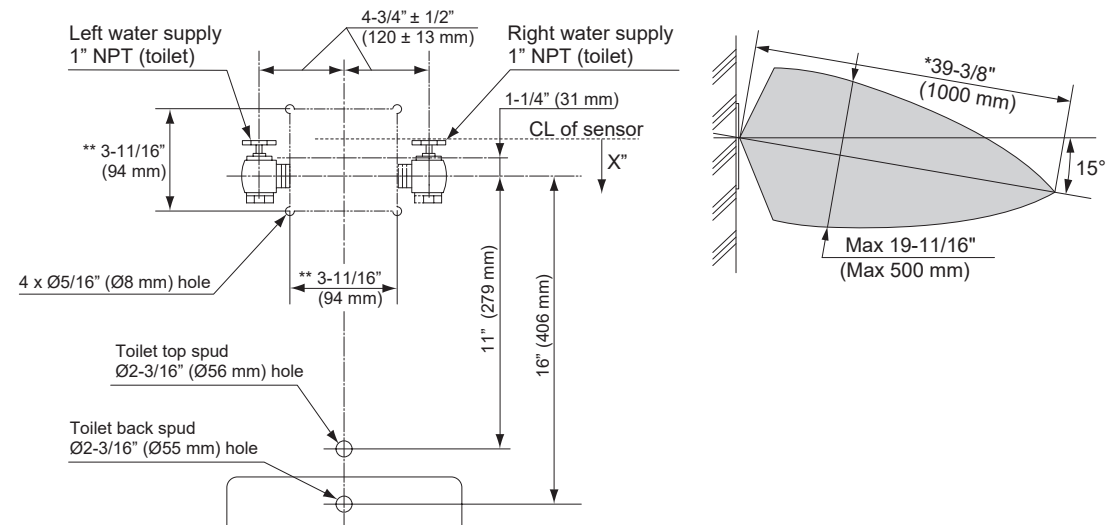
<b>Material</b>	Bronze casting
<b>Power Supply</b>	ECOPOWER
<b>IoT Capacity</b>	IoT-Enabled
<b>Sensor Detection Time</b>	Factory setting at six (6) seconds minimum
<b>Sensor Detection Range</b>	Self-adjusting to environment
<b>Discharge Quantity</b>	Preset to 0.125 GPF / 0.47 LPF
<b>Operating Temperature</b>	32-104°F (0-40°C)
<b>Water Source</b>	Tap water (Municipal Supply Only)
<b>Water Supply Pressure</b>	Min: 15 psi (flowing) Max: 125 psi (static)
<b>Water Supply Connection</b>	3/4" NPT
<b>Warranty</b>	Three year limited

\*Water pressures over 80 psi are not recommended for most plumbing fixtures. Check your local plumbing code for details.

### INSTALLATION NOTES

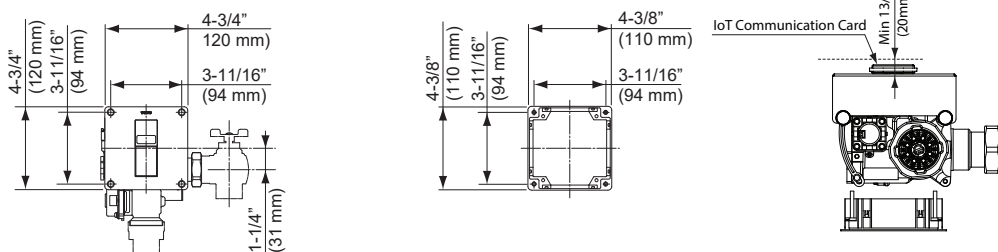
- For commercial applications only.
- Warning: Failure to properly adjust angle stop to the appropriate level can potentially cause property damage.
- For detailed installation instructions, please refer to the installation manual.
- Max flow rate to be used with TEU3UAI\_\_\_\_\_ : 0.125 GPF
- Confirm with local codes and standards for floor drain requirement. Adjust control stop for proper flow rate to the fixture.
- The flush valve must remain accessible for maintenance and service purposes. An access panel at least 12" x 12" or a walk-in chase is required.
- Do not position ADA grab bars in front of the sensor.
- The flush valve requires a minimum of 7" (178mm) depth in the wall.
- For IoT installation, provide at least 13/16" (20mm) clearance between the face of the controller cover and any surrounding structure. Please refer to the diagram below.

### DIMENSIONS



\* X", ± = At least 5" clearance from sensor to tip of toilet seat up position or to top of grab bar is required to avoid false detection.

\*\* Opening in wall



**TOTO®**

These dimensions and specifications are subject to change without notice